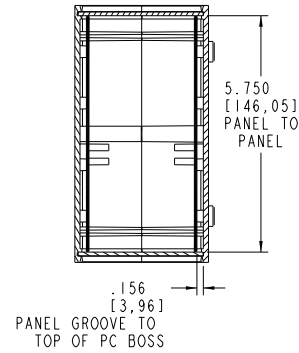
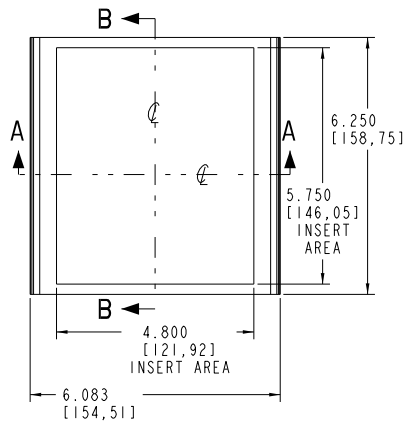
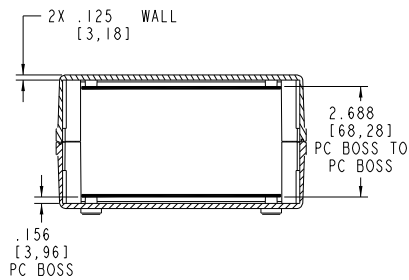
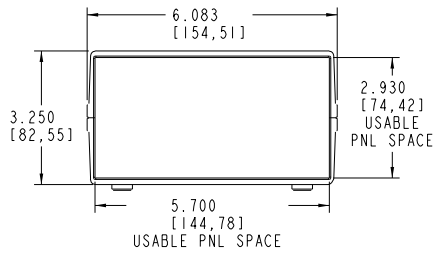
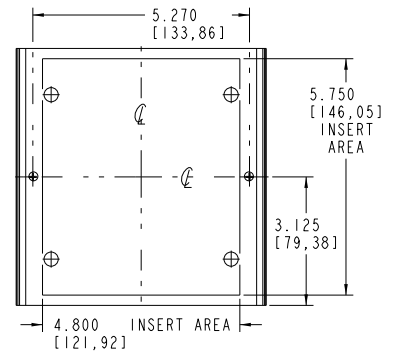


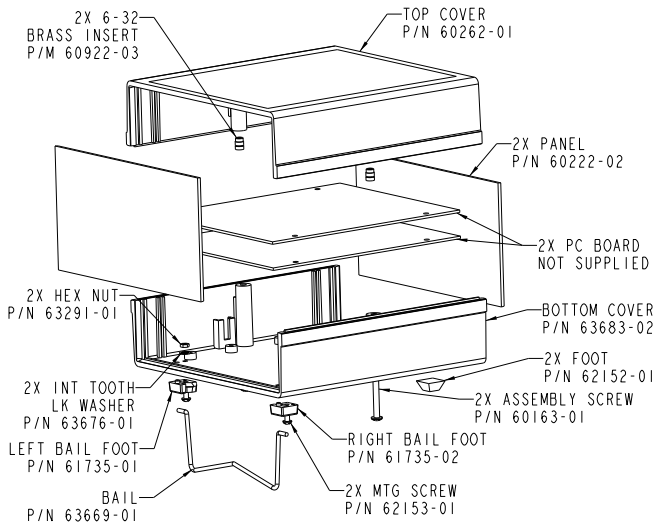
CM6-300



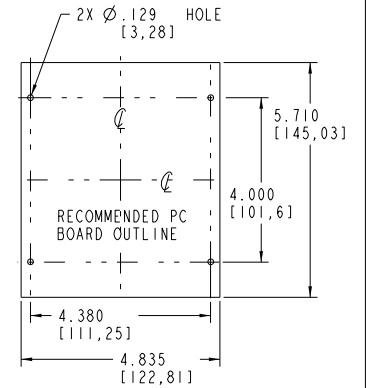
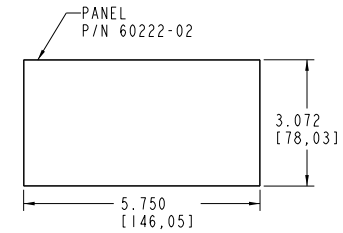
SECTION B-B



SECTION A-A



CMB6-300



PACINTEC®
1-610-361-4200

CM6-300 & CMB6-300

VISIT **PACINTEC®**
ON THE WORLD WIDE WEB
www.pactecenclosures.com

| COLOR / MATERIAL CODE | |
|-----------------------|-----------|
| COLOR | 94HB 94VO |
| BLACK | 000 028 |
| P.C. BONE | 039 060 |

| DRAWING NUMBER | REV |
|----------------|-----|
| 79332 | B |