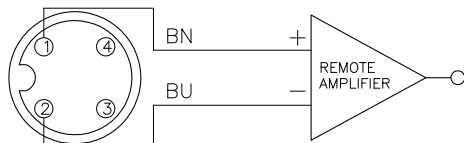
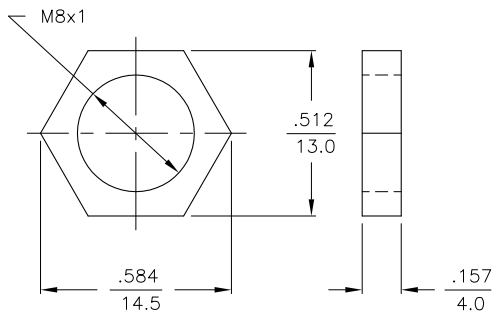


WIRING DIAGRAM



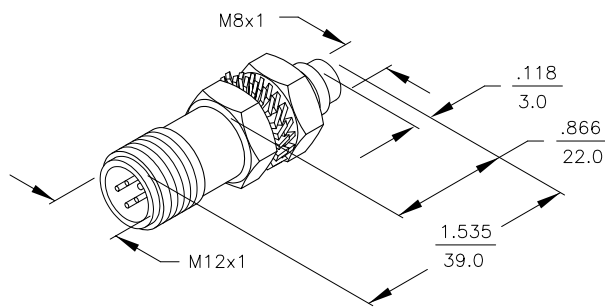
OUTPUT: Y1

LOCKNUT LN-SS08


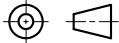


SPECIFICATIONS

OPERATING VOLTAGE	5-30 VDC
NOMINAL VOLTAGE	≤8.2 VDC (DIN 19 234)
DIFFERENTIAL TRAVEL (HYSTERESIS)	1-10% (5% TYPICAL)
OUTPUT FUNCTION	RESISTANCE CHANGE, REQUIRES REMOTE AMPLIFIER
RESISTANCE CHANGE FROM NONACTIVATED TO ACTIVATED CONDITION	1.0 kΩ to >8.0 kΩ
RESULTING CURRENT CHANGE	≥2.2 mA to ≤1.0 mA
RECOMMENDED SWITCHING POINT FOR REMOTE AMPLIFIER	1.55 mA
TIME DELAY BEFORE AVAILABILITY	≤1 ms
POWER-ON EFFECT	REALIZED IN AMPLIFIER
REVERSE POLARITY PROTECTION	INCORPORATED
WIRE-BREAK PROTECTION	REALIZED IN AMPLIFIER
TRANSIENT PROTECTION	REALIZED IN AMPLIFIER
OPERATING TEMPERATURE	-25°C to +70°C (-13°F to +158°F)
ENCLOSURE	MEETS NEMA 1, 3, 4, 13 AND IEC IP67
SHOCK	30 g, 11 ms
VIBRATION	55 Hz, 1 mm AMPLITUDE (IN ALL 3 PLANES)
LED FUNCTION	NONE
RATED OPERATING DISTANCE(Sn)	3 mm = .118" (NOMINAL)
SWITCHING FREQUENCY	5000 Hz
REPEATABILITY	≤2% of RATED OPERATING DISTANCE
EMBEDDABLE (SHIELDED)	NO



SOURCE DRAWING - FOR REFERENCE ONLY

RELATED DOCUMENTS		3RD ANGLE PROJECTION		THIS DRAWING IS PROPERTY OF TURCK INC. USE OF THIS DOCUMENT WITHOUT WRITTEN PERMISSION IS PROHIBITED.		 High Technology Sensors and Automation Controls 3000 CAMPUS DRIVE MINNEAPOLIS, MN 55441 1-800-544-7769 (763) 553-7300 (763) 553-0708 fax turck.com	
1. 2. 3. 4.				DRFT IK	DATE 8/27/97	DESCRIPTION NI 3-EG08K-Y1-H1341	
MATERIAL SST		ALL DIMENSIONS DISPLAYED ON THIS DRAWING ARE FOR REFERENCE ONLY		DSGN	SCALE NONE	IDENTIFICATION NO. S1003720	
FINISH		CONTACT TURCK FOR MORE INFORMATION		UNIT OF MEASUREMENT <b>INCH [ MILLIMETER ]</b>		REV A	
A DRAWING RELEASE		RDS	11/04/02	DO NOT SCALE THIS DRAWING		FILE: S1003720 SHEET 1 OF 1	
REV	DESCRIPTION	BY	DATE	ECO NO.			

A	DRAWING RELEASE	RDS	11/04/02	5504
REV	DESCRIPTION	BY	DATE	ECO NO.