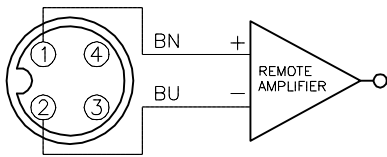
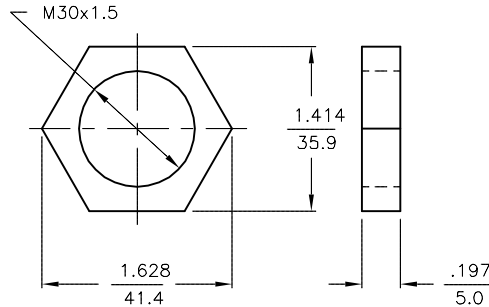


WIRING DIAGRAM



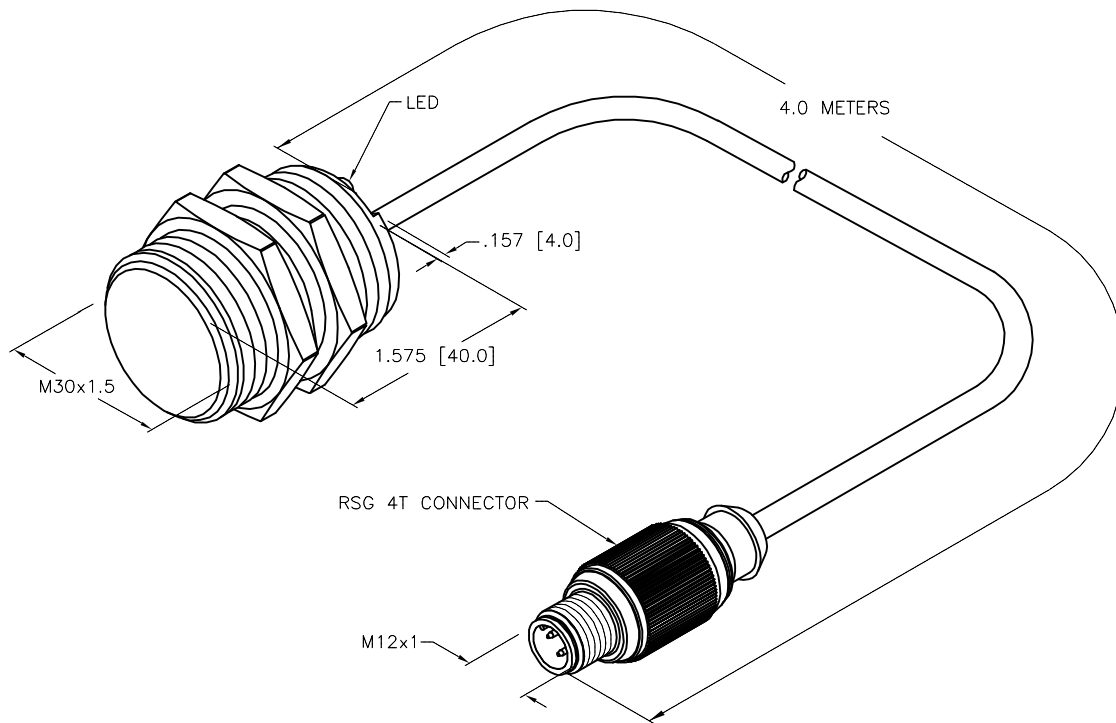
OUTPUT: Y0X

LOCKNUT LN-M30



SPECIFICATIONS

RATED OPERATING DISTANCE	10 mm [0.394]
MOUNTING MODE	FLUSH
HYSTERESIS	1-10%
MIN. REPEAT ACCURACY	≤2%
TEMPERATURE DRIFT	≤ ±10%
OPERATING TEMPERATURE	-25°C to +70°C (-13°F to +158°F)
OUTPUT FUNCTION	2-WIRE, NAMUR
MAX. SWITCHING FREQUENCY	≤0.5 kHz
OPERATING VOLTAGE	8.2 VDC
NON-ACTUATED CURRENT CONSUMPTION	≥ 2.1 mA
ACTUATED CURRENT CONSUMPTION	≤ 1.2 mA
HOUSING MATERIAL	BRASS/CHROME-PLATED
ACTIVE FACE MATERIAL	PLASTIC, PA12-GF30
END CAP MATERIAL	PLASTIC, TROGAMID-T
CABLE	∅5.1, TPU
VIBRATION RESISTANCE	55 Hz, 1 mm AMPLITUDE (IN ALL 3 PLANES)
SHOCK RESISTANCE	30 g, 11 ms
DEGREE OF PROTECTION	IP 67
SWITCHING STATUS INDICATION	LED; YELLOW



SOURCE DRAWING - FOR REFERENCE ONLY

NOTES:

1. "/S90" DESIGNATES THERMOPLASTIC POLYURETHANE (TPU) CABLE JACKET.

RELATED DOCUMENTS 1. 2. 3. 4.	3RD ANGLE PROJECTION 	THIS DRAWING IS CONFIDENTIAL AND THE PROPERTY OF TURCK INC. USE OF THIS DOCUMENT WITHOUT WRITTEN PERMISSION IS PROHIBITED.		3000 CAMPUS DRIVE MINNEAPOLIS, MN 55441 1-800-544-7769 (763) 553-7300 (763) 553-0708 fax turck.com	
	MATERIAL SEE SPECIFICATIONS	ALL DIMENSIONS DISPLAYED ON THIS DRAWING ARE FOR REFERENCE ONLY CONTACT TURCK FOR MORE INFORMATION	DRFT RDS DATE 09/19/12	DESCRIPTION BI10-G30-Y0X-4M-RSG 4.21T/S90	
FINISH SEE SPECIFICATIONS	APVD A.F. SCALE 1=1.3		UNIT OF MEASUREMENT INCH [MILLIMETER]		IDENTIFICATION NO. T4020093-000
DO NOT SCALE THIS DRAWING		FILE: T4020093-000			SHEET 1 OF 1

B	UPDATE SPECIFICATIONS	NF	02/02/15	48840
REV	DESCRIPTION	BY	DATE	ECO NO.