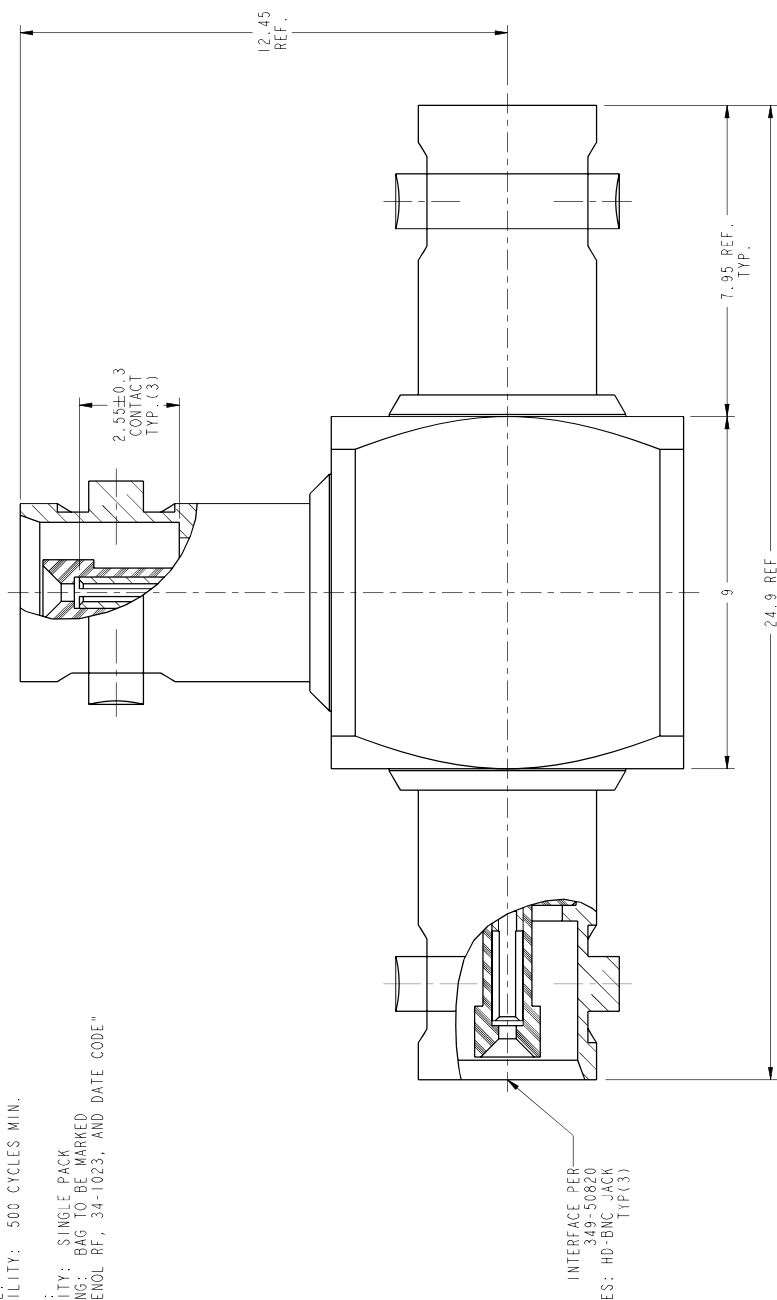
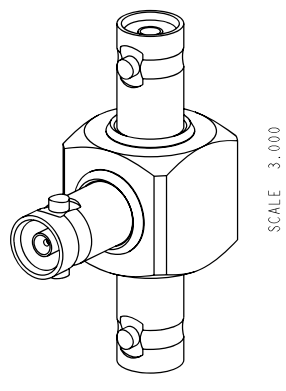


THIRD ANGLE PROJ.		REV ISIONS			
REV	DESCRIPTION	DATE	ECO	APPR	ID
A	RELEASE TO MFG.	25-Oct-10	48169		

THIRD ANGLE PROJ.		REV ISIONS			
REV	DESCRIPTION	DATE	ECO	APPR	ID
A	RELEASE TO MFG.	25-Oct-10	48169		

- NOTES:
- MATERIALS AND FINISHES:
 BODY - BRASS, NICKEL PLATING
 CONTACT - BERYLLIUM COPPER, GOLD PLATING
 INSULATOR - PTFE, NATURAL
 - ELECTRICAL:
 A. IMPEDANCE: 75 OHM
 B. FREQUENCY RANGE: DC - 3.0 GHz
 - MECHANICAL:
 A. DURABILITY: 500 CYCLES MIN.
 - PACKAGING:
 A. QUANTITY: SINGLE PACK
 B. MARKING: BAG TO BE MARKED
 "AMPHENOL RF, 34-1023, AND DATE CODE"



CUSTOMER OUTLINE DRAWING
 ALL OTHER SHEETS ARE FOR INTERNAL USE ONLY

UNLESS OTHERWISE SPECIFIED, DIMENSIONS ARE IN METRIC AND TOLERANCES ARE: $\pm 0.5\text{mm}$ 0.5 - 6mm $\pm 0.1\text{mm}$ 6 - 30mm 30 - 120mm ANGLES $\pm 0.3\text{mm}$ $\pm 0.2\text{mm}$		DRAWN T.DENG		DATE 25-Oct-10	TITLE HD-BNC 75 OHM JACK TEE ADAPTOR		Amphenol RF Danbury CT USA, Taiwan, Shenzhen, China www.amphenolrf.com	
NOTICE - These drawings, specifications, or other data (1) are, and remain the property of Amphenol Corp. (2) must be returned upon request; and (3) are confidential and need to be disclosed to any person other than those to whom they are intended. Amphenol Corp. shall not be held liable for any errors or omissions in other data by Amphenol Corp., or to any other person to anyone for any purpose is not to be regarded by implication or otherwise in any manner licensing, granting rights to permitting such holder or any other person to manufacture, use or sell any product, process or design, patented or otherwise, that may in any way be related to or disclosed by said drawings, specifications, or other data.		SEE NOTES		ENGINEER BALAJI M	DATE 11-Mar-10	DRAWING NO. 34-1023		
		REFERENCE EAR #3966		APPROVED S.HSIEH	DATE 27-Oct-10	ITEM NO. 34-1023		
		CONFIGURATION LEVEL:		CAD FILE	SCALE: 8.0:1.0	SHEET 2 OF 2		
FINISH		Root Folder/HD-BNC/34-1023		DWG SIZE B		REV A		PART NO. 34-1023