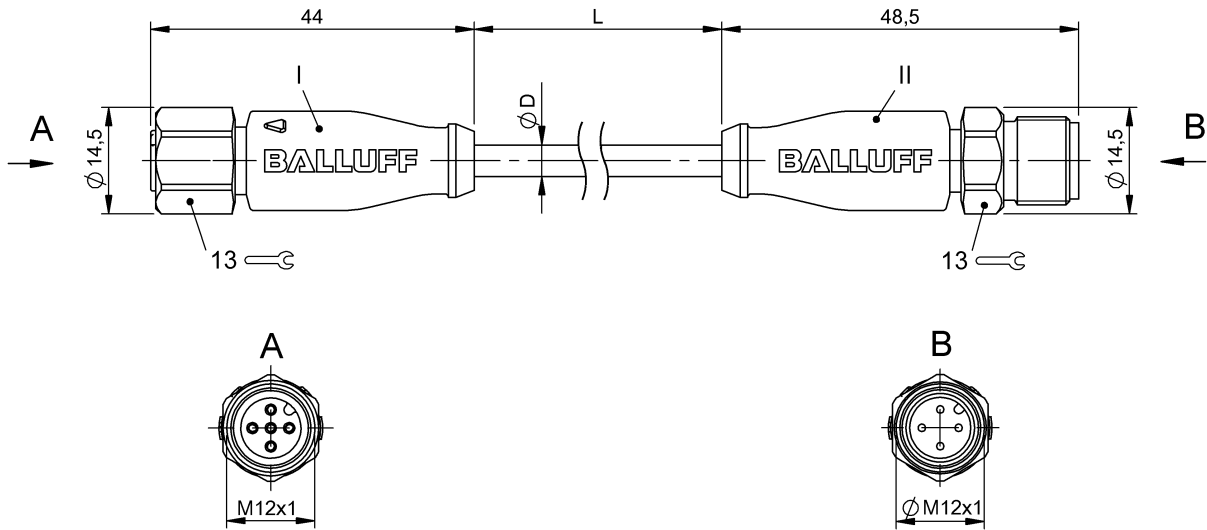


BCC S415-S414-3A-304-PX0434-015
BCC0EYR



4MT5
(CJ/JV CABLE ASSEMBLY)

Electrical connection

Bending radius min., fixed cable	5 x D
Bending radius min., flexible cable	10 x D
Cable	PUR black, 1.50 m, Drag chain compatible
Cable diameter D	4.70 mm ±0.20 mm
Cable, bending cycles min.	5 million
Cable, torsion stress	±180°/m
Conductor cross-section	0.34 mm ²
Number of conductors	4
Number of pins	5/4
System	Molded/Molded

Electrical data

Horizontal travel permitted, drag chain	5 m
Rated current (40 °C)	4.0 A
Vertical travel permitted, drag chain	5 m

Environmental conditions

Cable temperature, drag chain	-25...60 °C
Cable temperature, fixed routing	-50...90 °C
Cable temperature, flexible routing	-25...90 °C
Protection type IEC 60529	IP69K /IP69K

Functional safety

Cable temperature UL max., fixed routing	80 °C
--	-------

Cable temperature UL max., flexible routing 80 °C

General data

Approval/Conformity	cULus LISTED
---------------------	--------------

Material

Material contact carrier	PUR/PUR
Material contacts	Bronze/Brass
Material cover nut	Stainless steel/Stainless steel
Material grip	TPU/TPU

Mechanical data

Acceleration max., drag chain	5 m/s ²
Tightening torque pigtail	0.6 Nm/0.6 Nm
Traverse speed max., drag chain	200 m/min

Remarks

Enclosure rating per IEC 60529, only in screwed state with the associated mating piece.

Cable construction acc. to UL-AWM Style 20549

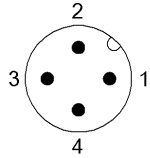
Halogen-free per DIN VDE 0472 Part 815

Silicone-free

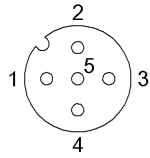
Flame-retarding acc. to IEC 60332-2

BCC S415-S414-3A-304-PX0434-015
BCC0EYR

Connector view



II PIN 1: brown PIN 2: white PIN 3: blue PIN 4:
black



I PIN 1: brown PIN 2: white PIN 3: blue PIN 4:
black PIN 5: n.c.

Wiring Diagram

