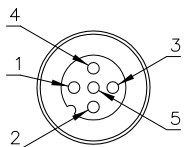
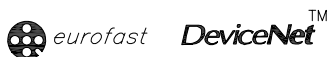


MALE END VIEW

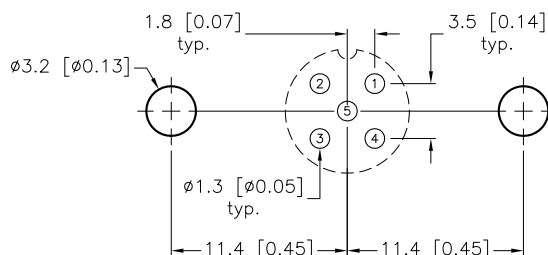
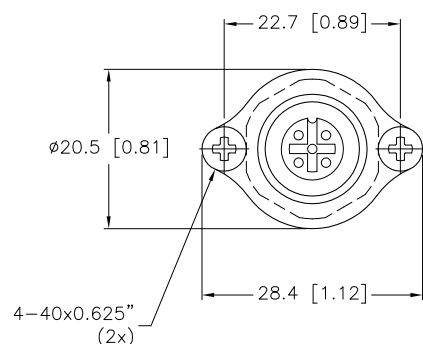


- 1 = BARE (SHIELD)
- 2 = RED (+ VOLTAGE)
- 3 = BLACK (- VOLTAGE)
- 4 = WHITE (CAN_H)
- 5 = BLUE (CAN_L)

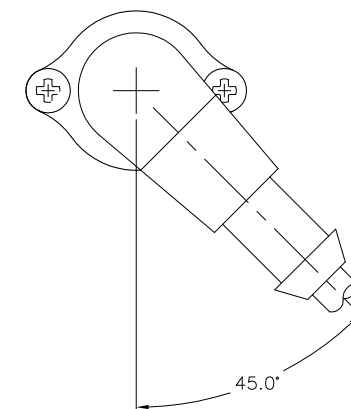


SPECIFICATIONS

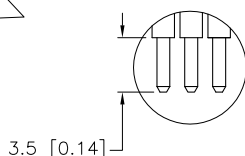
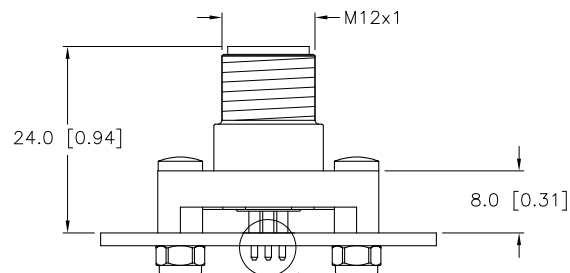
CONTACT CARRIER MATERIAL	NYLON OR TPU
CONTACT MATERIAL/PLATING	GOLD-PLATED BRASS
RATED CURRENT [A]	4.0 A
RATED VOLTAGE [V]	250 V
HOUSING MATERIAL	NICKEL-PLATED BRASS
NUMBER OF CONDUCTORS [AWG]	PCB PINS
TEMPERATURE RATING	-30°C to +80°C (-22°F to +176°F)
PROTECTION CLASS	MEETS NEMA 1,3,4,6P AND IEC IP68
SPACINGS	TO VDE 0110 GROUP C



BOARD LAYOUT
SCALE 2=1



RIGHT ANGLE
CONNECTOR ORIENTATION



NOTES:

1. FOR OTHER RIGHT ANGLE CONNECTOR ORIENTATIONS, ROTATE BOARD LAYOUT TO DESIRED ORIENTATION OR ROTATE 5-HOLE PINOUT IN INCREMENTS OF 60°.

SOURCE DRAWING - FOR REFERENCE ONLY

RELATED DOCUMENTS 1. INSERT SHEET 10240179 2. 3. 4.		3RD ANGLE PROJECTION 		THIS DRAWING IS PROPERTY OF TURCK INC. USE OF THIS DOCUMENT WITHOUT WRITTEN PERMISSION IS PROHIBITED.		TURCK INC High Technology Sensors and Automation Controls 3000 CAMPUS DRIVE MINNEAPOLIS, MN 55441 1-800-544-7769 (763) 553-7300 (763) 553-0708 fax turck.com	
MATERIAL SEE SPECIFICATIONS		DRFT DF	DATE 02/03/00	DESCRIPTION FS 57-PCB KIT/100			
FINISH SEE SPECIFICATIONS		DSGN DF	SCALE 1=1.0	UNIT OF MEASUREMENT MILLIMETER [INCH]		IDENTIFICATION NO. U7340-1	REV G
CONTACT TURCK FOR MORE INFORMATION		DO NOT SCALE THIS DRAWING		FILE: U7340-1		SHEET 1 OF 1	

G	DRAWING PROCESSED AS PART OF ECO 33971	CBM	04/07/11	33971
REV	DESCRIPTION	BY	DATE	ECO NO.