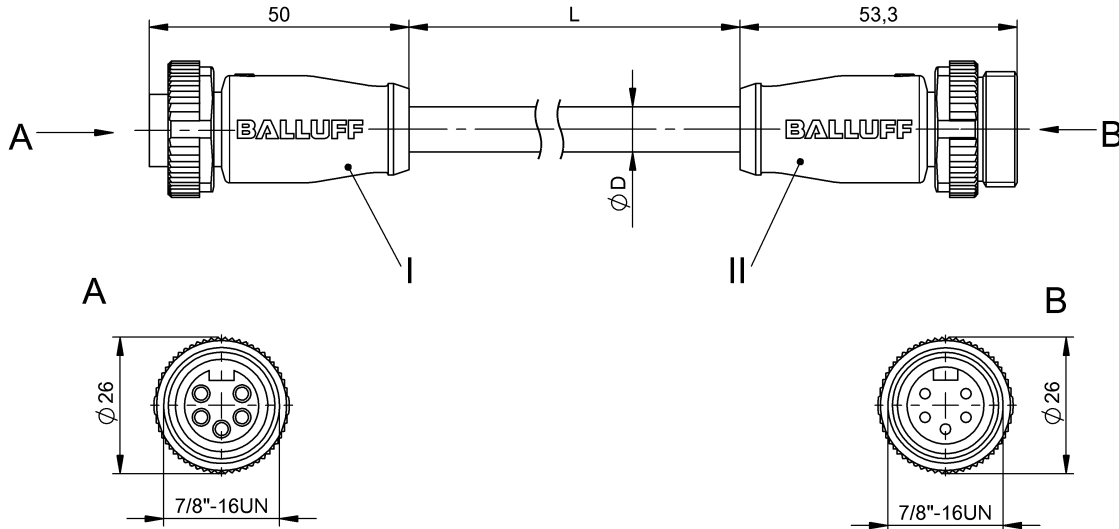


BCC A315-A315-30-335-PX05A5-003  
BCC0AU4



4MT5  
(CYJV CABLE ASSEMBLY)

## Electrical connection

Bending radius min., fixed cable	7.5 x D
Bending radius min., flexible cable	10 x D
Cable	PUR black, 0.30 m, Drag chain compatible
Cable diameter D	8.70 mm ±0.20 mm
Cable, bending cycles min.	5 million
Conductor cross-section	1.5 mm <sup>2</sup>
Number of conductors	5
Number of pins	5/5
System	Molded/Molded

## Electrical data

Cable rated voltage AC max.	600.0 V
Cable rated voltage DC max.	600.0 V
Horizontal travel permitted, drag chain	20 m
Rated current (40 °C)	9.0 A

## Environmental conditions

Cable temperature, fixed routing	-50...80 °C
Cable temperature, flexible routing	-20...80 °C
Protection type IEC 60529	IP68 /IP68

## General data

Approval/Conformity	cULus LISTED
---------------------	--------------

## Material

Material contact carrier	PUR/PUR
Material contacts	Brass/Brass
Material cover nut	Die-cast zinc/Die-cast zinc
Material grip	PUR/PUR

## Mechanical data

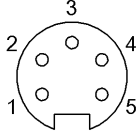
Acceleration max., drag chain	5 m/s <sup>2</sup>
Tightening torque pigtail	1.5 Nm/1.5 Nm
Traverse speed max., drag chain	300 m/min

## Remarks

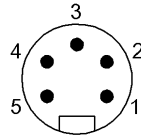
Enclosure rating per IEC 60529, only in screwed state with the associated mating piece.  
Cable construction acc. to UL-AWM Style 20234  
Halogen-free  
Silicone-free  
Flame-retarding

BCC A315-A315-30-335-PX05A5-003  
BCC0AU4

## Connector view



I PIN 1: black PIN 2: blue PIN 3: green/yellow PIN  
4: brown PIN 5: white



II PIN 1: black PIN 2: blue PIN 3: green/yellow PIN  
4: brown PIN 5: white

## Wiring Diagram

