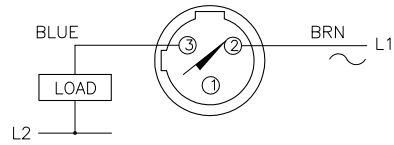
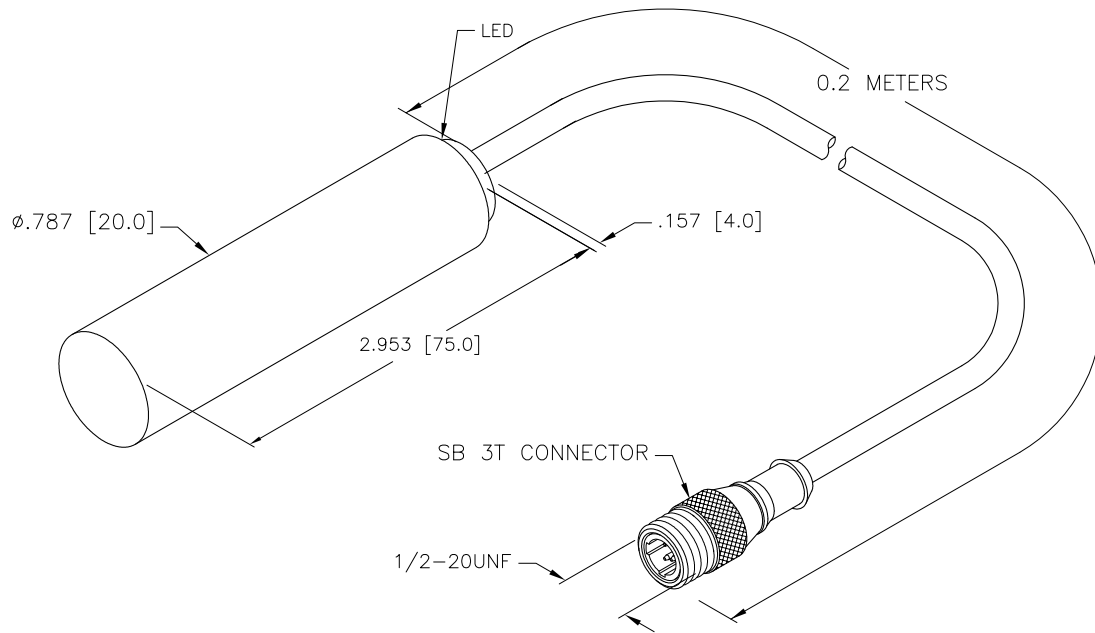


WIRING DIAGRAM



OUTPUT: AZ3X

WARNING: NO SHORT-CIRCUIT PROTECTION
ALWAYS WIRE A LOAD IN SERIES WITH THE SENSOR.



SPECIFICATIONS

RATED OPERATING DISTANCE	10 mm = .394"
MOUNTING MODE	NON-FLUSH
TEMPERATURE DRIFT	$\leq \pm 10\%$
HYSTERESIS	3-15%
MIN. REPEAT ACCURACY	$\leq 2\%$
OPERATING TEMPERATURE	-25°C to +70°C (-13°F to +158°F)
RATED OPERATIONAL VOLTAGE (AC/DC)	20-250 VAC/10-300 VDC
RATED OPERATIONAL CURRENT (AC/DC)	$\leq 400 \text{ mA} / \leq 300 \text{ mA}$
FREQUENCY	50-60 Hz
RESIDUAL CURRENT	$\leq 1.7 \text{ mA}$
RATED INSULATION VOLTAGE	$\leq 1.5 \text{ kV}$
SURGE CURRENT	$\leq 8.0 \text{ A}$ ($\leq 10 \text{ ms MAX. 5 Hz}$)
MAX. VOLTAGE DROP	$\leq 6.0 \text{ V}$
OUTPUT FUNCTION	2-WIRE, NORMALLY OPEN
SMALLEST OPERATING CURRENT	$\geq 3.0 \text{ mA}$
MAX. SWITCHING FREQUENCY	$\leq 0.02 \text{ kHz}$
HOUSING MATERIAL	PLASTIC, PBT-GF30-V0
ACTIVE FACE MATERIAL	PLASTIC, PBT-GF30-V0
CABLE	$\phi 5.2$, PVC
VIBRATION RESISTANCE	55 Hz (IN ALL 3 PLANES)
SHOCK RESISTANCE	30 g, 11 ms
DEGREE OF PROTECTION	IP 67
SWITCHING STATUS INDICATION	LED: YELLOW
INCLUDED IN SCOPE OF SUPPLY	BS20

SOURCE DRAWING - FOR REFERENCE ONLY

RELATED DOCUMENTS		3RD ANGLE PROJECTION		THIS DRAWING IS PROPERTY OF TURCK INC. USE OF THIS DOCUMENT WITHOUT WRITTEN PERMISSION IS PROHIBITED.		TURCK INC High Technology Sensors and Automation Controls 3000 CAMPUS DRIVE MINNEAPOLIS, MN 55441 1-800-544-7769 (763) 553-7300 (763) 553-0708 fax turck.com	
1.			ALL DIMENSIONS DISPLAYED ON THIS DRAWING ARE FOR REFERENCE ONLY	DRFT	RDS	DATE	02/03/10
2.				DSGN		SCALE	1=1.5
3.				UNIT OF MEASUREMENT			DESCRIPTION
4.				INCH [MILLIMETER]			NI10-K20-AZ3X-0.2M-SB 3T
MATERIAL		SEE SPECIFICATION		CONTACT TURCK FOR MORE INFORMATION			IDENTIFICATION NO.
FINISH		SEE SPECIFICATIONS		DO NOT SCALE THIS DRAWING			M4358591 REV A
A	DRAWING RELEASE	RDS	02/03/10	FILE: M4358591			SHEET 1 OF 1
REV	DESCRIPTION	BY	DATE	ECO NO.			