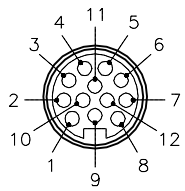


FEMALE END VIEW

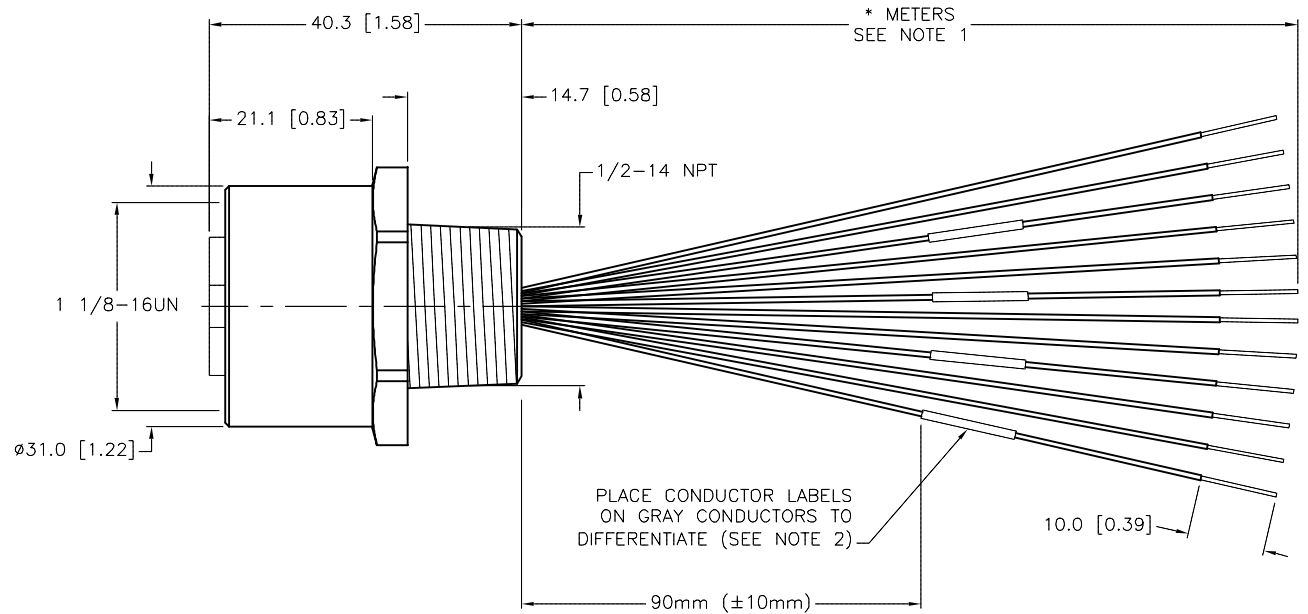
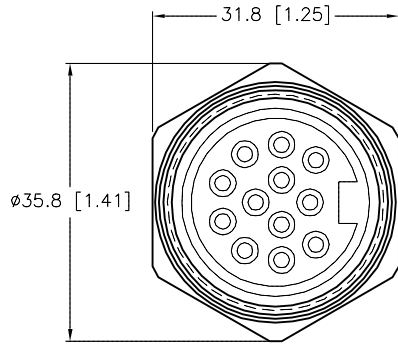


- 1 = WHITE/BLACK
- 2 = BLACK/WHITE
- 3 = GRAY #1
- 4 = WHITE/GREEN
- 5 = GREEN/WHITE
- 6 = GRAY #2
- 7 = WHITE/RED
- 8 = RED/WHITE
- 9 = GRAY #3
- 10 = WHITE/ORANGE
- 11 = ORANGE/WHITE
- 12 = GRAY #4



SPECIFICATIONS

CONTACT CARRIER MATERIAL	TPU
CONTACT MATERIAL/PLATING	BRASS/GOLD
HOUSING MATERIAL/FINISH	STAINLESS STEEL/PASSIVATED
RATED CURRENT [A]	7.0 A
RATED VOLTAGE [V]	600 V
PROTECTION CLASS	MEETS NEMA 1,2,3,4,6P AND IEC IP68
CONDUCTOR INSULATION MATERIAL	PVC
NUMBER OF CONDUCTORS [AWG]	12x18 AWG
TEMPERATURE RATING	-40°C to +105°C (-40°F to +221°F)



PLACE CONDUCTOR LABELS ON GRAY CONDUCTORS TO DIFFERENTIATE (SEE NOTE 2)

CABLE LENGTH	TOLERANCE*
ALL LENGTHS	+ 4% (OR 50mm) OF LENGTH - 0% (OR 0mm) OF LENGTH WHICHEVER IS GREATER
STRIP LENGTH	TOLERANCE*
0-7mm	±0.5mm
8-29mm	±1.0mm
30-49mm	±2.0mm
50-69mm	±3.0mm
70-100mm	±4.0mm
OVER 100mm	±5.0mm

* UNLESS OTHERWISE SPECIFIED

NOTES:

- "*" INDICATES LEAD LENGTH IN METERS. CONTACT TURCK TO ORDER SPECIFIC LENGTHS.
- CONDUCTOR LABELS PLACED ON GRAY CONDUCTORS. (GRAY #1 = 1, GRAY #2 = 2, etc.)

SOURCE DRAWING - FOR REFERENCE ONLY

RELATED DOCUMENTS 1. 2. 3. 4.	3RD ANGLE PROJECTION 	THIS DRAWING IS CONFIDENTIAL AND THE PROPERTY OF TURCK INC. USE OF THIS DOCUMENT WITHOUT WRITTEN PERMISSION IS PROHIBITED.		3000 CAMPUS DRIVE MINNEAPOLIS, MN 55441 1-800-544-7769 (763) 553-7300 (763) 553-0708 fax turck.com	
		DRFT RDS	DATE 04/25/13	DESCRIPTION P-RKFV 1211-*/14.5/NPT	
MATERIAL SEE SPECIFICATIONS	ALL DIMENSIONS DISPLAYED ON THIS DRAWING ARE FOR REFERENCE ONLY	APVD C.K.	SCALE 1=1.0	IDENTIFICATION NO.	
FINISH SEE SPECIFICATIONS		UNIT OF MEASUREMENT MILLIMETER [INCH]		REV A	
DO NOT SCALE THIS DRAWING		FILE: 777031715		SHEET 1 OF 1	

A	DRAWING RELEASE	TR	05/06/13	
REV	DESCRIPTION	BY	DATE	ECO NO.