



Part Number
Key Word



Site Search

TOP

NEWS RELEASE

CONNECTOR SEARCH

CATALOG

SAMPLE

STOCK CHECK

[TOP](#) > [IL-Z-7P-S125L3-E](#)

Product List

Product Name	IL-Z-7P-S125L3-E
Series Name	IL-Z Series
Lead free	Yes
Contact pitch (mm)	1.25
Connector types	Pin header
Number of contacts	7
PCB side connector styles	Right angle
PCB mounting method	Solder
SMT	No
Termination styles	-
Mating side contact finish	Tin
Mouting side contact length (mm)	1.7

Remarks	
Related Documents	 129Kbytes
Pair	

Notice:

1. The values specified in this web site are only for reference. The products and their specifications are subject to change without notice. Contact our sales staff for further information before considering or ordering any of our products.
For purchase, a product specification must be agreed upon.
2. Users are requested to provide protection circuits and redundancy circuits to ensure safety of the equipment, and sufficiently review the suitability of JAE's products to the equipment.
3. The products presented in this web site are designed for the uses recommended below. We strongly suggest you contact our sales staff when considering use of any of the products in any other way than the recommended applications or for a specific use that requires an extremely high reliability.

(1) Applications that require consultation:

- (i) Please contact us if you are considering use involving a quality assurance program that you specify or that is peculiar to the industry, such as:
Automotive electrical components, train control, telecommunications devices (mainline), traffic light control, electric power, combustion control, fire prevention or security systems, disaster evention equipment, etc.

(ii) We may separately give you our support with a quality assurance program that you specify, when you think of a use such as :

Aviation or space equipment, submarine repeaters, nuclear power control systems, medical equipment for life support, etc.

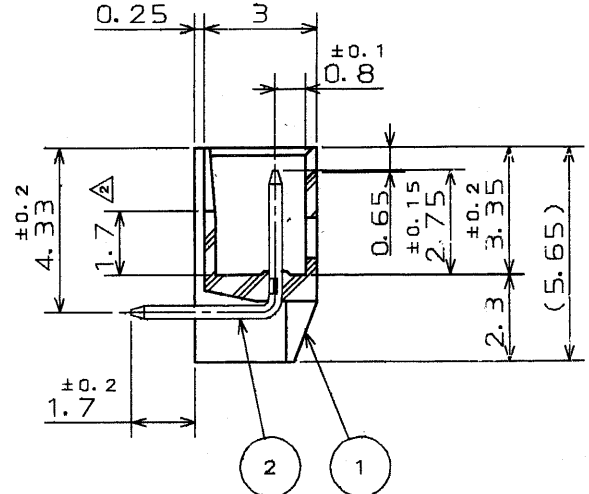
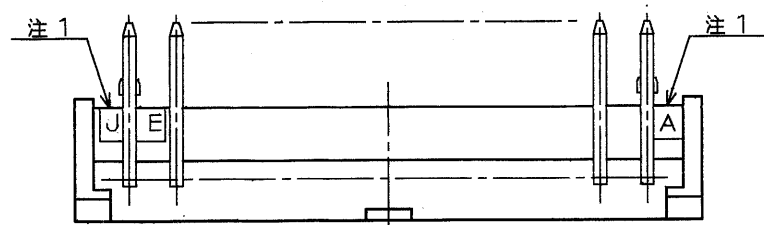
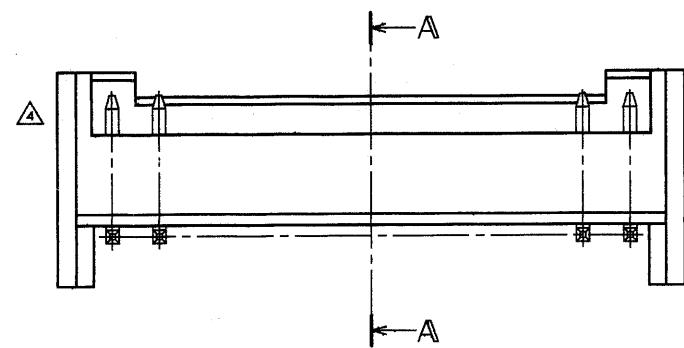
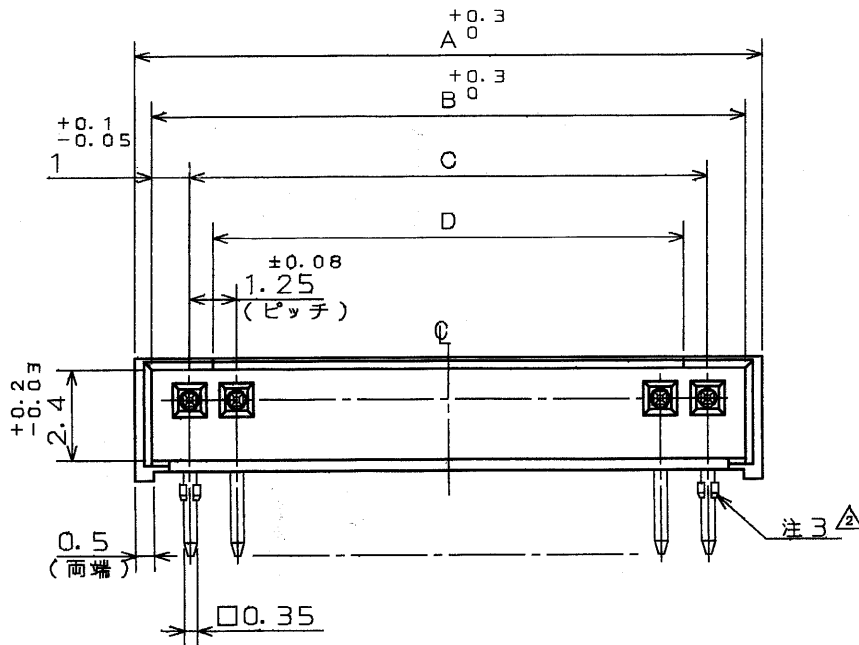
(2) Recommended applications include:

Computers, office appliances, telecommunications devices (terminals, mobile units), measuring equipment, audiovisual equipment, home electric appliances, factory automation equipment, etc

SJ021832

異図

版数	年月日	DCN NO.	詳細	製図	担当	査閲	承認
2	62. 3. 19	21849	寸法変更, 他	小松	小菅	西野	藤野
3	90. 1. 18	26357	インシュレータ色相 "黒" 追加		鈴木	宮下	藤野
4	91. 4. 22	28623	形状訂正	早川	鈴木	外	藤野

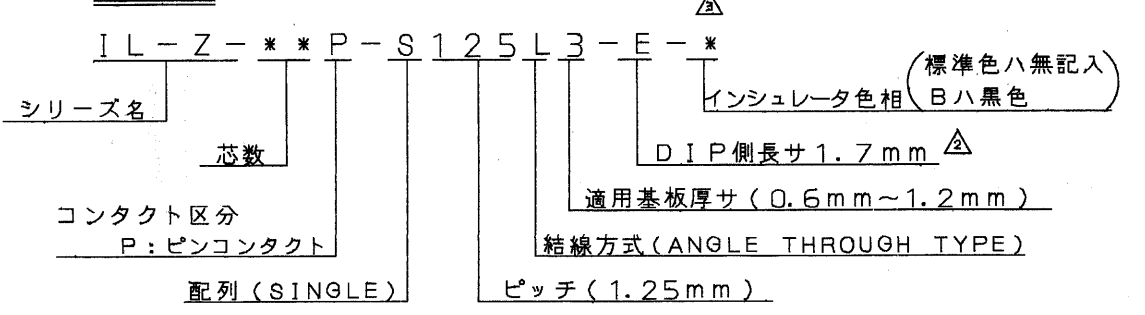


断面A-A

表1

芯数	A ^{+0.3/0}	B ^{+0.3/0}	C ^{±0.15}	D ^{±0.25}
2	4.15	3.25	1.25	1.7
3	5.4	4.5	2.5	1.7
4	6.65	5.75	3.75	2.5
5	7.9	7	5	3.75
6	9.15	8.25	6.25	5
7	10.4	9.5	7.5	6.25
8	11.65	10.75	8.75	7.5
9	12.9	12	10	8.75
10	14.15	13.25	11.25	10
11	15.4	14.5	12.5	11.25
12	16.65	15.75	13.75	12.5
13	17.9	17	15	13.75
14	19.15	18.25	16.25	15
15	20.4	19.5	17.5	16.25

命名法



符号	名	材	料	仕	上	個	数	備	考
2	コンタクト	黄	銅	ニ	ッケル上スズメッキ	表1	参照		
1	インシュレータ	6-6	ナイロン			1		色相: ライトブラウン	

- 注1. 社標及び金型マークヲ沈ミ彫リ浮キ出シトスル。
- 2. 適用基板穴径ハφ0.6 ±0.03ガ望マシイ。
- △ 3. フォーミングハ両端2ヶ所ニ設ケル。

特に指定のない限り、鋭い角やかえりは除去すること	
一般仕上	
一般公差	
特に指定がなければ CTS-4100 による	
寸法	角度
. ±0.3	X° ±
.X ±0.2	X°X' ±
.XX ±0.1	偏心量
.XXX ±	以内

仕様書

組立図番

材料

仕上

処理

第1版

62年 2月 19日

製図 村野

担当 遠藤

査閲 鈴木

承認 市村 藤野

尺 5mm

個 数

名称 IL-Z-**P -S125L3-E-*

アングルピンヘッド

シリーズ IL-Z

図番 SJ021832

用紙サイズ A3

DCF-116A

