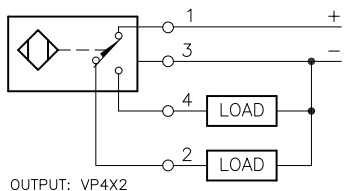


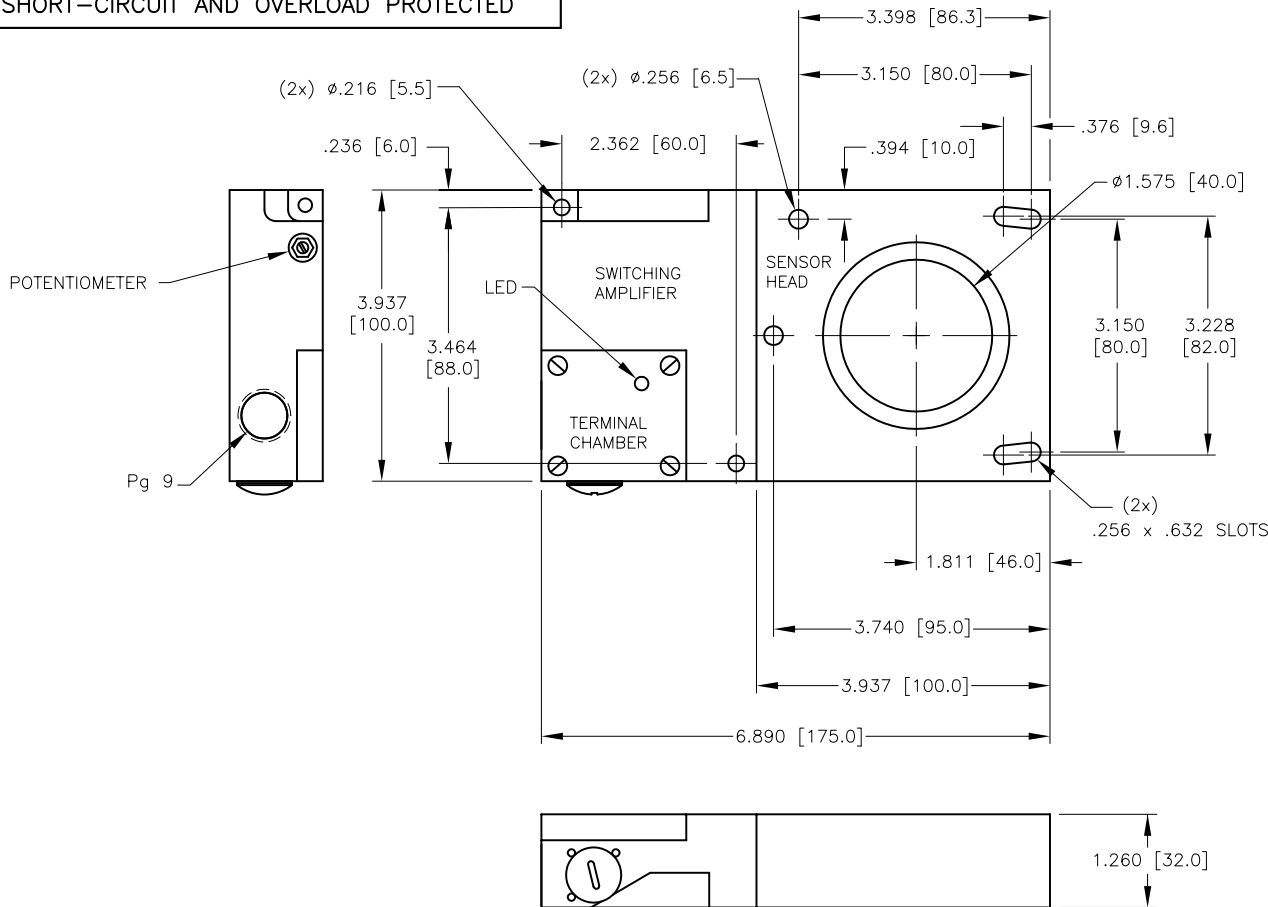
WIRING DIAGRAM



SHORT-CIRCUIT AND OVERLOAD PROTECTED

SPECIFICATIONS

INTERIOR RING DIAMETER	∅40 mm
MIN. STEEL BALL DIAMETER	≥ 8mm
DIAMETER OF STEEL WIRE	≥ 1mm
MOUNTING MODE	NON-FLUSH
HYSTERESIS	3-15%
MIN. REPEAT ACCURACY	≤ 2%
PULSE PAUSE	≥ 5 ms
PULSE LENGTH AT OUTPUT	≥ 100 ms ± 20%
OPERATING TEMPERATURE	-25°C to +70°C (-13°F to +158°F)
RATED OPERATIONAL VOLTAGE	10-55 VDC
RIPPLE	≤ 10%
RATED OPERATIONAL CURRENT	≤ 200 mA
NO-LOAD CURRENT	≤ 20 mA
LEAKAGE (OFF-STATE) CURRENT	≤ 0.1 mA
MAX. SWITCHING FREQUENCY	≤ 0.008 kHz
RATED INSULATION VOLTAGE	≤ 0.5 kV
OUTPUT FUNCTION	4-WIRE, COMPLIMENTARY, PNP
SHORT-CIRCUIT PROTECTION	INCORPORATED
MAX. VOLTAGE DROP	≤ 1.8 V
REVERSE POLARITY PROTECTION	INCORPORATED
WIRE BREAK PROTECTION	INCORPORATED
HOUSING MATERIAL	PLASTIC, ABS
COIL FORM	PLASTIC, ABS
VIBRATION	55 Hz, 1 mm AMPLITUDE (IN ALL 3 PLANES)
SHOCK	30 g, 11 ms
DEGREE OF PROTECTION	IP65
SWITCHING STATUS INDICATION	LED, YELLOW



**NOTE
PRELIMINARY
SPECIFICATIONS**

RELATED DOCUMENTS 1. 2. 3. 4.	3RD ANGLE PROJECTION	THIS DRAWING IS PROPERTY OF TURCK INC. USE OF THIS DOCUMENT WITHOUT WRITTEN PERMISSION IS PROHIBITED.	3000 CAMPUS DRIVE MINNEAPOLIS, MN 55441 1-800-544-7769 (763) 553-7300 (763) 553-0708 fax turck.com	
			DRFT RDS	DATE 05/16/03
MATERIAL SEE NOTES	TOLERANCES UNLESS OTHERWISE SPECIFIED	DSGN	SCALE NONE	IDENTIFICATION NO. M1440005
FINISH SEE NOTES	.X ±0.02 .XX ±0.01 .XXX ±0.005 ANGLES ±1° ALL MILLIMETER DIMENSIONS ARE REFERENCE ONLY	UNIT OF MEASUREMENT INCH [MILLIMETER]		REV P1
P1	RDS 05/16/03	DO NOT SCALE THIS DRAWING		FILE: M1440005
REV	DESCRIPTION	BY	DATE	ECO NO.

P1	RDS 05/16/03	BY	DATE	ECO NO.
REV	DESCRIPTION	BY	DATE	ECO NO.