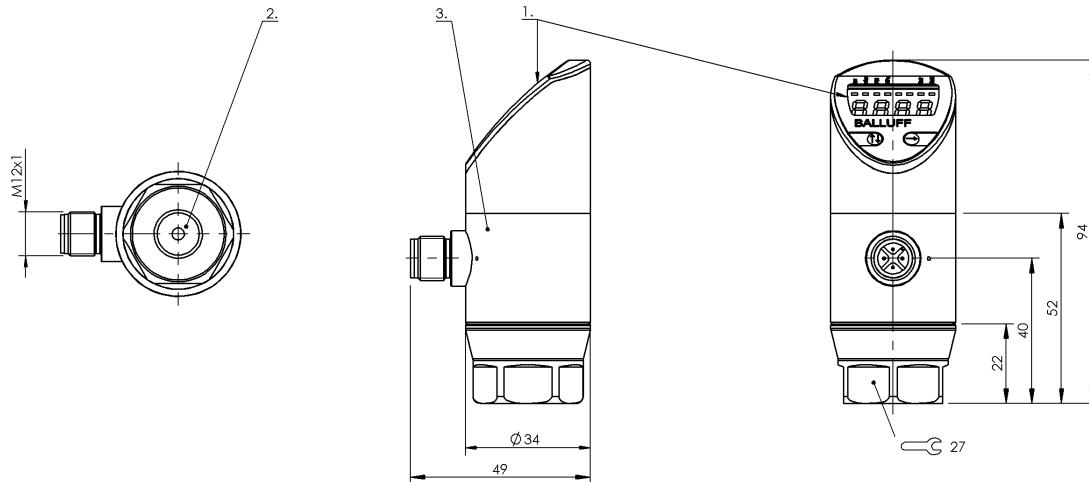


## BSP B250-EV003-D00S1B-S4 BSP00CR



1) Display and control panel 2) Process connection 3) Housing rotatable 320°



### Display/Operation

Switching function display LED

### Electrical connection

Connection M12x1-Connector, 4-pole, A-coded  
Polarity reversal protected yes  
Short-circuit protection yes

### Electrical data

Current draw max. 50 mA  
MTTF (40 °C) 386 a  
Operating voltage  $U_b$  18...36 VDC  
Output current max. 250 mA  
Switching cycles min. 100000000  
Switching frequency 200 Hz

### Environmental conditions

Ambient temperature -40...85 °C  
Compensation temperature -25...85 °C  
Interference immunity EN 61326-2-3: 2006  
Medientemperatur -40...125 °C  
Noise emission EN 61326-2-3: 2006  
Protection class III  
Protection type IEC 60529 IP67  
Storage temperature -40...85 °C  
Temperature coefficient typ.  $\leq \pm 0.3$  % FSO/10K

### Functional safety

Diagnostic coverage 0.0 %  
Functional safety no  
Mission Time 0 a

### General data

Approval/Conformity CE  
Operating panel 2 buttons  
320° rotation  
4-digit, 7-segment display, red

### Material

Gasket, material FKM  
Housing material PA, PA 6.6  
Stainless steel (1.4301)

### Mechanical data

Tightening torque max. 5 Nm  
Weight 230.00 g

### Output/Interface

Interface IO-Link 1.1  
IO-Link version 1.1  
Switching output 2x PNP

### Range/Distance

Burst pressure 450.00 bar  
Long-term stability max. 0.3 % FSO/year

## BSP B250-EV003-D00S1B-S4 BSP00CR

Overload pressure	400 bar
Repeat accuracy	≤ ±0.2 % FSO
Resolution	≤ 12 Bit
Sampling rate	2 ms

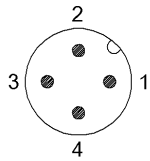
### Remarks

vacuum-tight

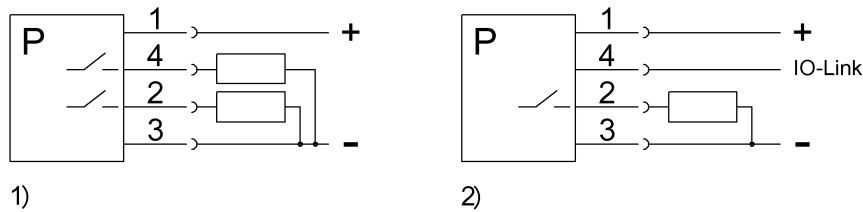
For further information on MTTF/B10d, please refer to the MTTF / B10d Certificate.

Specification of the MTTF value and the B10d value do not represent any binding quality and/or life expectancy guarantees.

### Connector view



### Wiring Diagram



1) Standard mode 2) IO-Link mode