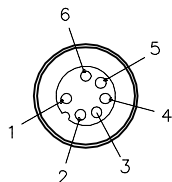


MALE END VIEW



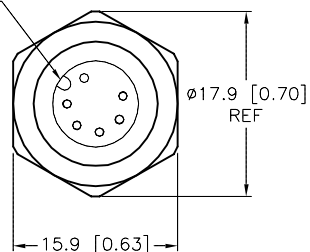
- 1 = ORANGE
- 2 = RED
- 3 = YELLOW
- 4 = BLACK
- 5 = BLUE
- 6 = GREEN



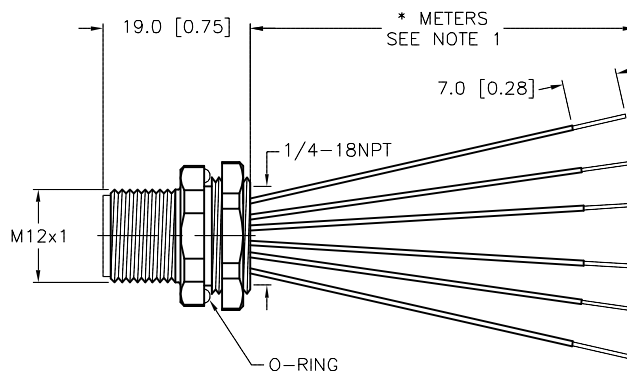
SPECIFICATIONS

CONTACT CARRIER MATERIAL	NYLON OR TPU
CONTACT MATERIAL/PLATING	BRASS/GOLD
O-RING MATERIAL	NITRILE
RATED CURRENT [A]	1.5 A
RATED VOLTAGE [V]	30 VAC/36 VDC
HOUSING MATERIAL/PLATING	BRASS/NICKEL
CONDUCTOR INSULATION MATERIAL	PVC
NUMBER OF CONDUCTORS [AWG]/LENGTH	6x24 AWG
TEMPERATURE RATING	-30°C to +105°C (-22°F to +221°F)
PROTECTION CLASS	MEETS NEMA 1,3,4,6P AND IEC IP68

KEYWAY ORIENTATION
MAY VARY



END VIEW
LOCKNUT REMOVED



CABLE LENGTH	TOLERANCE *
ALL LENGTHS	+ 4% (OR 50mm) OF LENGTH - 0% (OR 0mm) OF LENGTH WHICHEVER IS GREATER
STRIP LENGTH	TOLERANCE *
0-7mm	±0.5mm
8-29mm	±1.0mm
30-49mm	±2.0mm
50-69mm	±3.0mm
70-100mm	±4.0mm
OVER 100mm	±5.0mm

* UNLESS OTHERWISE SPECIFIED

NOTES:

- "*" DESIGNATES CABLE LENGTH IN METERS. CONTACT TURCK TO ORDER SPECIFIC LENGTHS.
- "/CS10488" DESIGNATES SPECIAL CONDUCTOR COLORS.

SOURCE DRAWING - FOR REFERENCE ONLY

RELATED DOCUMENTS 1. NOTE 2. PRELIMINARY 3. SPECIFICATIONS 4.	3RD ANGLE PROJECTION 	THIS DRAWING IS CONFIDENTIAL AND THE PROPERTY OF TURCK INC. USE OF THIS DOCUMENT WITHOUT WRITTEN PERMISSION IS PROHIBITED.	3000 CAMPUS DRIVE MINNEAPOLIS, MN 55441 1-800-544-7769 (763) 553-7300 (763) 553-0708 fax turck.com	
	MATERIAL	DRFT RDS DATE 04/11/02 APVD SCALE NONE	DESCRIPTION FS 6-*/18.25/CS10488	
FINISH	ALL DIMENSIONS DISPLAYED ON THIS DRAWING ARE FOR REFERENCE ONLY CONTACT TURCK FOR MORE INFORMATION	UNIT OF MEASUREMENT MILLIMETER [INCH]		IDENTIFICATION NO. REV P4
P4 UPDATE END VIEW NF 01/12/16 53050		DO NOT SCALE THIS DRAWING		FILE: 777006579 SHEET 1 OF 1

REV	DESCRIPTION	BY	DATE	ECO NO.
P4	UPDATE END VIEW	NF	01/12/16	53050