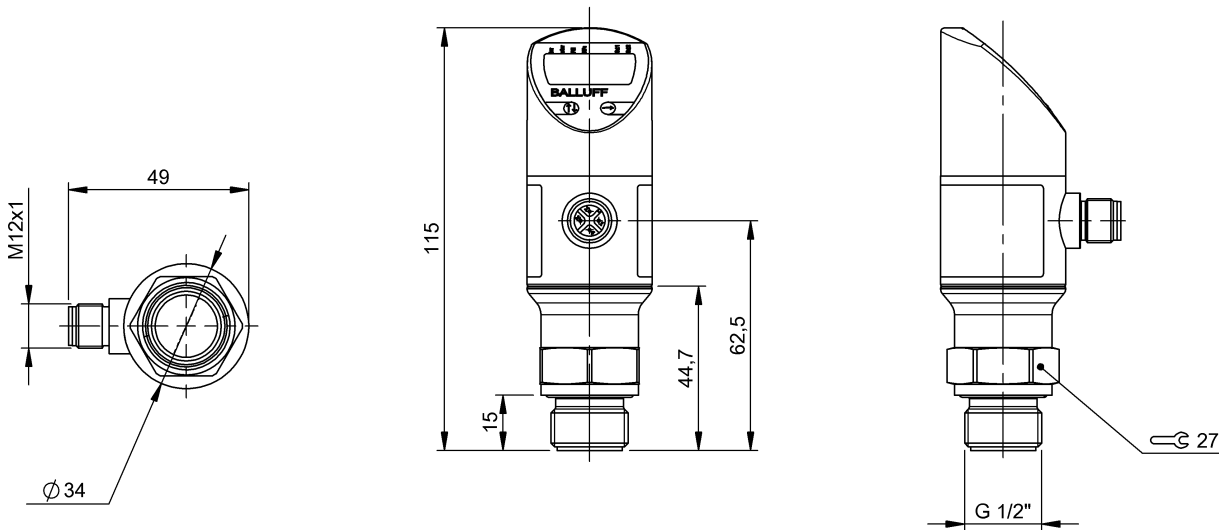


## BSP B400-IV003-A01A0B-S4 BSP0081



### Display/Operation

Switching function display LED

### Electrical connection

Connection M12x1-Connector, 4-pole, A-coded  
Polarity reversal protected yes  
Short-circuit protection yes

### Electrical data

Current draw max. 50 mA  
MTTF (40 °C) 368 a  
Operating voltage  $U_b$  18...36 VDC  
Output current max. 500 mA  
Switching cycles min. 100000000  
Switching frequency 200 Hz

### Environmental conditions

Ambient temperature -40...85 °C  
Compensation temperature -25...85 °C  
EN 60068-2-27, Shock 30 g, 11 ms  
EN 60068-2-6, Vibration 30 g, 10...2000 Hz  
Interference immunity EN 61000-6-2: 2005  
Medientemperatur -40...125 °C  
Noise emission EN 61000-6-4: 2007  
Protection class III  
Protection type IEC 60529 IP67  
Storage temperature -40...85 °C  
Temperature coefficient typ.  $\leq \pm 0.3$  % FSO/10K

### Functional safety

Diagnostic coverage 0 %  
Functional safety no  
Mission Time 0 a

### General data

Approval/Conformity CE  
Operating panel 2 buttons  
320° rotation  
4-digit, 7-segment display, red

### Material

Gasket, material FKM  
Housing material Stainless steel (1.4301), PA 6.6  
PA 6.6

### Mechanical data

Tightening torque max. 10 Nm  
Weight 300.00 g

### Output/Interface

Analog output Analog, voltage, 0...10 V  
Switching output NPN

### Range/Distance

Burst pressure 1000.00 bar  
Long-term stability max. 0.3 % FSO/year  
Overload pressure 600 bar  
Repeat accuracy  $\leq \pm 0.2$  % FSO

## BSP B400-IV003-A01A0B-S4 BSP0081

Resolution  $\leq 12$  Bit  
Sampling rate 2 ms

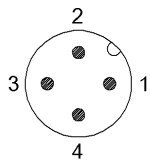
For further information on MTTF/B10d, please refer to the MTTF / B10d Certificate.

Specification of the MTTF value and the B10d value do not represent any binding quality and/or life expectancy guarantees.

### Remarks

vacuum-tight  
Permissible burden on analog output  $R_{min} = 10$  kOhm

### Connector view



### Wiring Diagram

