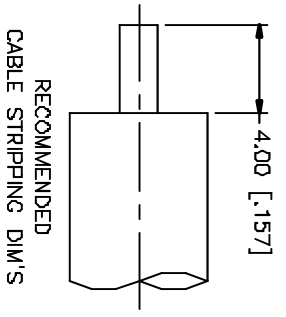
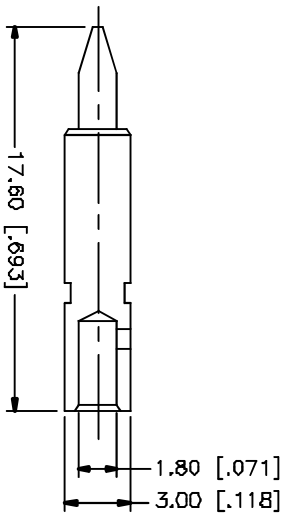
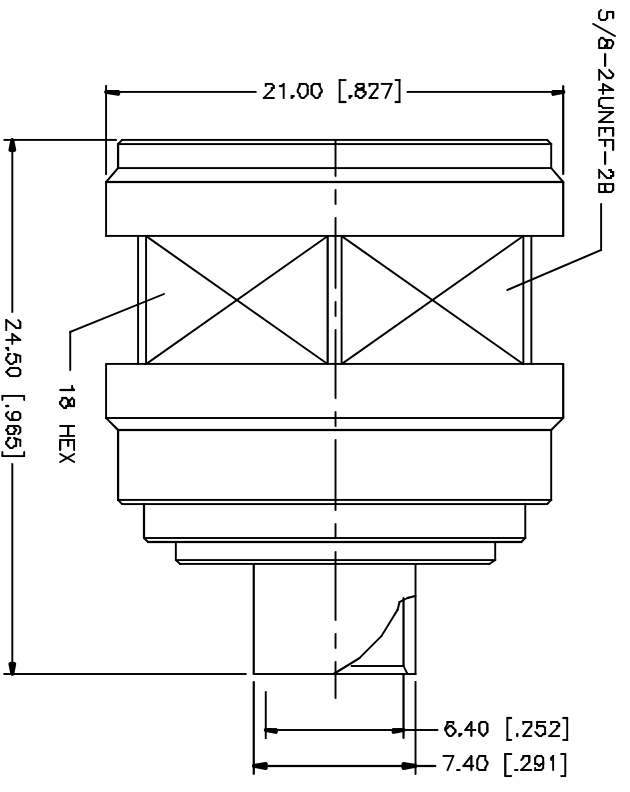


REV	DATE	DESCRIPTION
NC	03/27/05	INITIAL RELEASE



NOTE:  
 1. CRIMPED CONTACT PIN  
 HEX CRIMP SIZE .100"  
 OR SOLDER

REV	DATE	DESCRIPTION	MATERIAL	FINISH	QTY
B					
7					
6					
5					
4			BRASS	GOLD	1
3			TEFLON	NATURAL	1
2			BRASS	GOLD	1
1			BRASS	NEXCOTE	1
DESCRIPTION					
MATERIAL					
FINISH					
QTY					

UNLESS OTHERWISE SPECIFIED, DIMENSIONS ARE IN INCHES. DIMENSIONS IN [ ] ARE IN MILLIMETERS. DIMENSIONS IN [ ] ARE IN METERS AND FOR CUSTOMER REFERENCE ONLY.	
TOLERANCES FOR MILLIMETERS: A14 0.3 - 0.9mm ± 0.20mm B - 1.0mm ± 0.40mm 3.0 - 12.0mm ± 0.50mm	TOLERANCES FOR INCHES ARE: 0.00 - 0.15 ± 0.007" 0.15 - 1.00 ± 0.015" 1.00 - 4.75 ± 0.020" 4.75 - 12.50 ± 0.030"
DO NOT SCALE DRAWING	

APPROVALS	DATE
DRAWN: G.R.S.	03/27/05
CHECKED:	
ISSUED:	
SHEET 1 OF 1	

CAD FILE	C:/172/172139-11.DWG
DWG. NO.	172139-11 DWG
REV.	NC
SIZE	A
SCALE	NA

<b>Amphenol Connex</b>	
PART DESCRIPTION <b>N DIRECT SOLDER PLUG          (.250" SEMI-RIGID CABLE)</b>	
PART NO.	172139-11