

040 Series (Standard) (Continued)

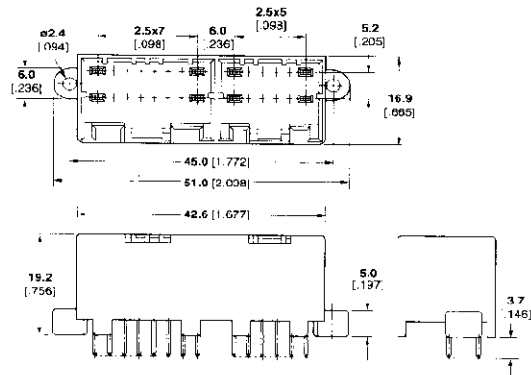
Wire to Board

CAP

PLUG

VERTICAL MOUNT
174979-2

28
P

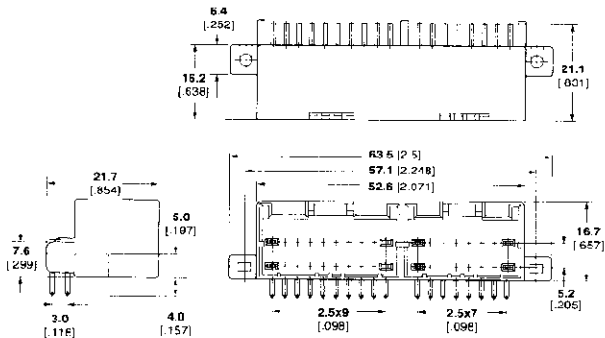


**Mating Plug—12 Position,
16 Position**

16 Position: 174046-2 (see page 7)
12 Position: 174045-2 (see page 12)

HORIZONTAL MOUNT
174146-2

36
P



**Mating Plug—20 Position,
16 Position**

20 Position: 174047-2 (see page 5)
16 Position: 174046-2 (see page 7)

HORIZONTAL MOUNT
174062-5 (Single Row)

16
P

174060-5 (Single Row)
*Use with 040 receptacle contact

