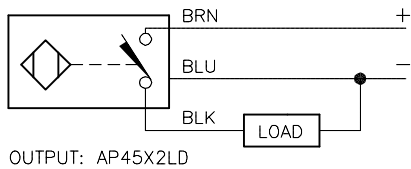
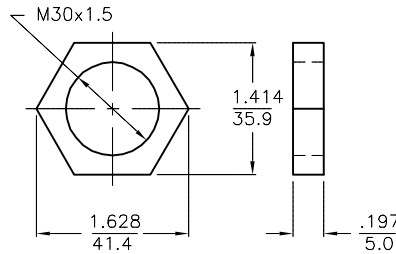


WIRING DIAGRAM



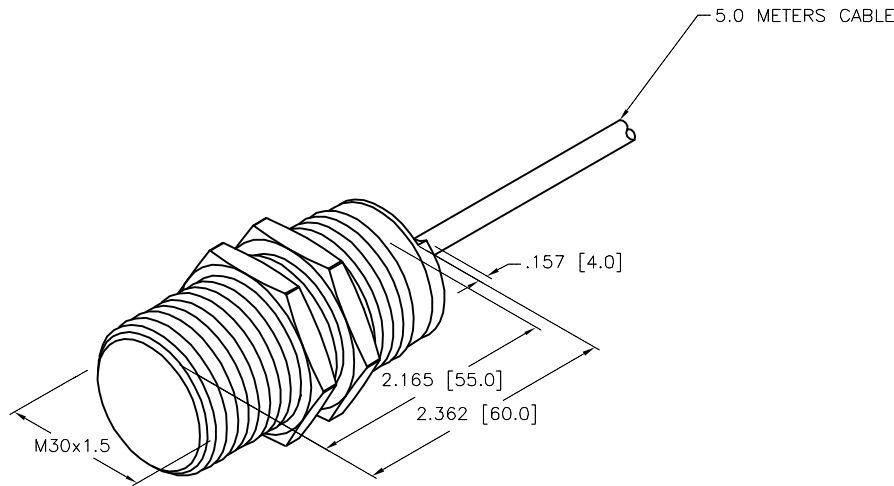
SHORT-CIRCUIT AND OVERLOAD PROTECTED

LOCKNUT LN-EM30



SPECIFICATIONS

RATED OPERATING DISTANCE	15.0 mm [.591"]
MOUNTING MODE	FLUSH
TEMPERATURE DRIFT	≤ ±10% ≤ ±15%, ≤ -25°C V ≥ +70°C
HYSTERESIS	3-15%
MIN. REPEAT ACCURACY	≤ 2%
AMBIENT TEMPERATURE	-40°C to +85°C (-40°F to +185°F)
OPERATING VOLTAGE	8.4-65 VDC
RESIDUAL RIPPLE	≤ 10%
DC OPERATIONAL CURRENT	≤ 200 mA
NO-LOAD CURRENT	≤ 15 mA
RESIDUAL CURRENT	≤ 0.1 mA
RATED INSULATION VOLTAGE	≤ 0.5 kV
OUTPUT FUNCTION	3-WIRE, NORMALLY OPEN, PNP
SHORT-CIRCUIT PROTECTION	YES
MAX. VOLTAGE DROP	≤ 1.8 V
WIRE BREAKAGE PROTECTION	INCORPORATED
REVERSE POLARITY PROTECTION	INCORPORATED
LOAD DUMP PROTECTION	IV/LEVEL 4, din 40839 (SAE J 1113-11)
SWITCHING FREQUENCY	≤ 0.5 kHz
HOUSING MATERIAL	AISI 316L
ACTIVE FACE MATERIAL	PLASTIC, PA12-GF30
END CAP MATERIAL	PLASTIC, EPTR
CONNECTION	CABLE
CABLE	∅5.2, Lif32Y32Y, TPE
VIBRATION RESISTANCE	55 Hz (IN ALL 3 PLANES)
SHOCK RESISTANCE	150 g, 6 ms, (IN ALL 3 PLANES)
DEGREE OF PROTECTION	IP68/IP69K
SWITCHING STATUS INDICATION	LED/YELLOW
NOISE IMMUNITY	100 V/m RADIATED & 100 mA BCI



T1584021-000
B115-EM30-AP45XLD 5M
(DATE CODE)

PART NUMBER LASER
MARKED ON FACE

SOURCE DRAWING - FOR REFERENCE ONLY

RELATED DOCUMENTS 1. 2. 3. 4.	3RD ANGLE PROJECTION 	THIS DRAWING IS CONFIDENTIAL AND THE PROPERTY OF TURCK INC. USE OF THIS DOCUMENT WITHOUT WRITTEN PERMISSION IS PROHIBITED.		TURCK INC High Technology Sensors and Automation Controls 3000 CAMPUS DRIVE MINNEAPOLIS, MN 55441 1-800-544-7769 (763) 553-7300 (763) 553-0708 fax turck.com	
	MATERIAL SEE SPECIFICATIONS	DRFT KMY APVD A.F.	DATE 02/08/13 SCALE 1=1.5	DESCRIPTION B115-EM30-AP45XLD 5M	
FINISH SEE SPECIFICATIONS	UNIT OF MEASUREMENT INCH [MILLIMETER]	CONTACT TURCK FOR MORE INFORMATION		IDENTIFICATION NO. T1584021-000	REV B
DO NOT SCALE THIS DRAWING		FILE: T1584021-000		SHEET 1 OF 1	

B	ADD LASER MARK NOTE	NF	07/30/15	50830
REV	DESCRIPTION	BY	DATE	ECO NO.