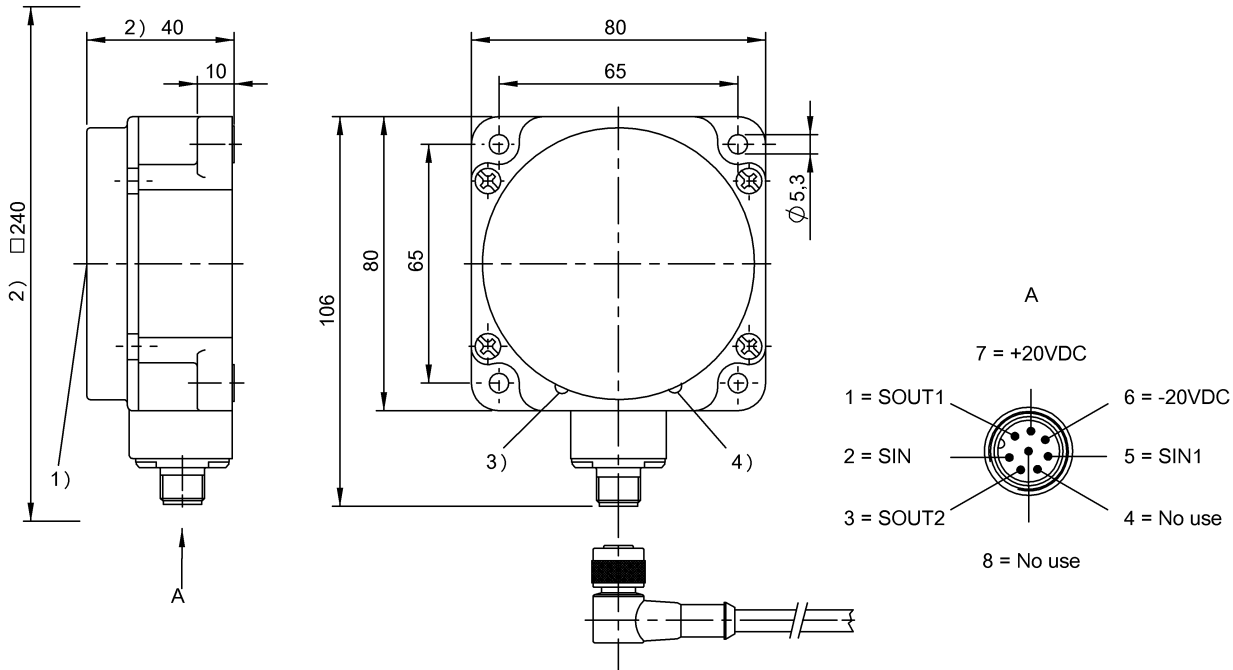


BIS S-301-S115 BIS005F



1) Sensing surface 2) Clear zone 3) LED (in Zone) 4) LED (Power)



Display/Operation

Function indicator TP (Tag Present)

Electrical connection

Connection Connector, 8-pole

Environmental conditions

Ambient temperature	0...50 °C
EN 60068-2-27, Continuous shock load	yes
EN 60068-2-27, Shock	yes
EN 60068-2-6, Vibration	yes
Protection type IEC 60529	IP67
Storage temperature	-20...85 °C

Functional safety

EN 60068-2-32 Free fall yes

General data

Antenna type	round
Approval/Conformity	CE
EN 55011	Size 1, Cl. A

Material

Housing material PBT

Mechanical data

Application weight	410.00 g
Dimension	80 x 40 x 106 mm
Installation	with clear zone (in steel)

Remarks

For installation in metal: Observe clear zone.
Values are under rated conditions unless otherwise specified.
For basic equipment: Accessories see www.balluff.com

BIS S-301-S115
BIS005F

Additional View

Appropriate data carrier		BIS S-150- _ _/A non-flush
Static mode		
Write distance in mm		10-50
Read distance in mm		10-50
Offset in mm at distance	5 mm	
	7 mm	
	10 mm	±5
	15 mm	±5
	20 mm	±5
	30 mm	±5
	50 mm	±5