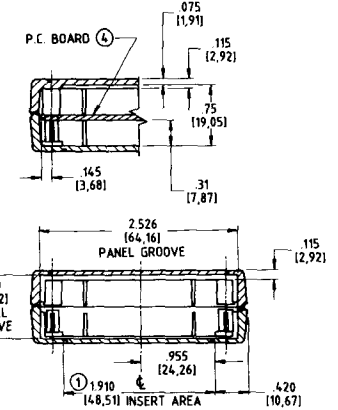


INCHES  
(mm)

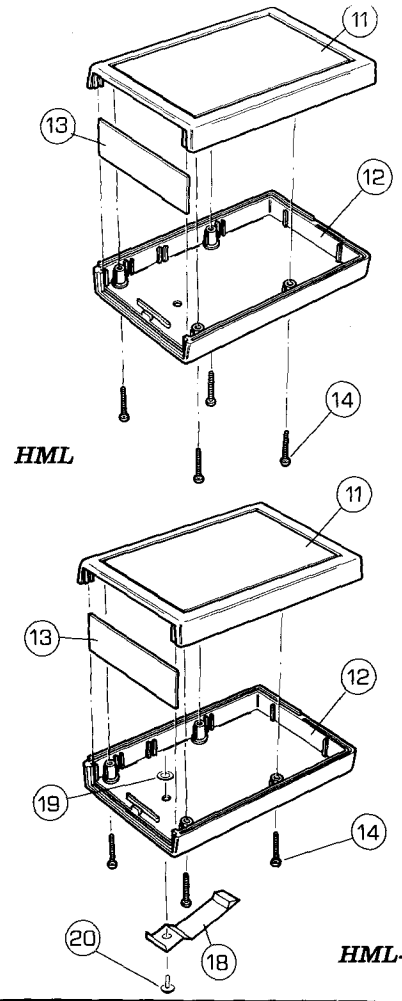


**SECTION A-A**

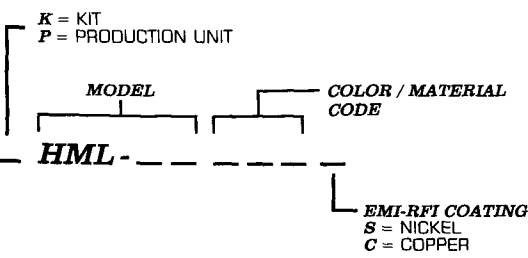
**PANEL**  
 .800 ± .005 (20,32 ± 0,13)H x 2.526 ± .005 (64,16 ± 0,13)W  
 x .062 ± .005 (1,57 ± 0,13) THK. IN PANEL GROOVE AREA.

① EXTERIOR INSERT AREA, FOR IN MOLD MODIFICATION.  
 ② INTERIOR INSERT AREA, FOR IN MOLD MODIFICATION.  
 ③ USABLE PANEL AREA  
 PANEL THICKNESS .100 ± .005 (2,54 ± 0,13).

④ P.C. CARD- 4.300 (109,22) L x 2.51 (63,75) W x .062 (1,57) THK.



**MODEL NUMBER GENERATION**



COLOR / MATERIAL CODE		
COLOR	94HB	94V0
BLACK	000	028
GREY	001	024
TAN	002	025
P.C. BONE	039	060

20	60535-01	RIVET	-	-	1	1
19	60534-01	WASHER	-	-	1	1
18	63449-01	BELT CLIP	-	-	1	1
14	60228-01	SCREW, #2X.56LG	4	4	4	4
13	62451-01	PANEL	-	1	-	1
12	62361-03-XXX	BOTTOM COVER	-	-	1	1
12	62361-01-XXX	BOTTOM COVER	1	1	-	-
11	62360-01-XXX	TOP COVER	1	1	1	1
ITEM	PART NUMBER	DESCRIPTION	PROD	KIT	PROD	KIT
			HML		HML-BC	