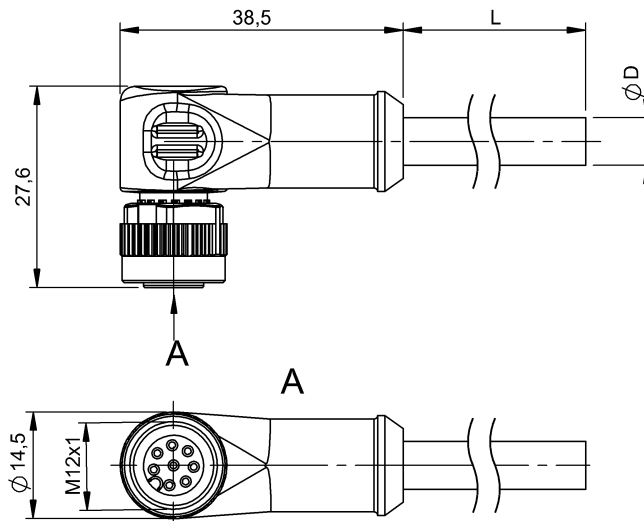


BCC M428-0000-1A-104-PS0825-150 BCC0ET8



4MT5
(CJ/V CABLE ASSEMBLY)

Electrical connection

Bending radius min., fixed cable	5 x D
Bending radius min., flexible cable	10 x D
Cable	PUR Shielded black, 15.00 m, Drag chain compatible
Cable diameter D	5.70 mm ±0.20 mm
Cable, bending cycles min.	2 million
Conductor cross-section	0.25 mm ²
Number of conductors	7
Number of pins	8
System	Molded

Electrical data

Horizontal travel permitted, drag chain	5 m
Rated current (40 °C)	2.0 A
Vertical travel permitted, drag chain	2 m

Environmental conditions

Cable temperatur, drag chain	-25...60 °C
Cable temperature, fixed routing	-50...80 °C
Cable temperature, flexible routing	-25...80 °C
Protection type IEC 60529	IP68

General data

Approval/Conformity	cULus LISTED
---------------------	--------------

Material

Material contact carrier	PUR
Material contacts	Bronze
Material cover nut	Die-cast zinc
Material grip	PUR

Mechanical data

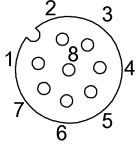
Acceleration max., drag chain	5 m/s ²
Tightening torque pigtail	0.6 Nm
Traverse speed max., drag chain	200 m/min

Remarks

Enclosure rating per IEC 60529, only in screwed state with the associated mating piece.
Cable construction acc. to UL-AWM Style 20549
Halogen-free per DIN VDE 0472 Part 815
Silicone-free
Flame resistance per UL FT2

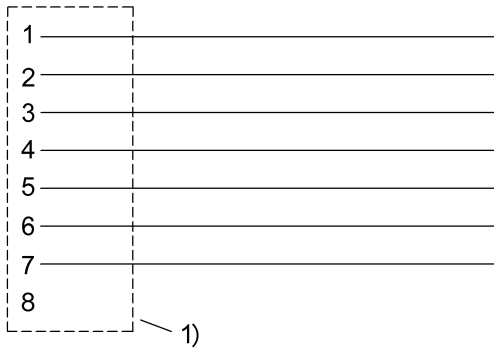
BCC M428-0000-1A-104-PS0825-150
BCC0ET8

Connector view



PIN 1: white PIN 2: brown PIN 3: green PIN 4:
yellow PIN 5: gray PIN 6: pink PIN 7: blue PIN 8:
Shield

Wiring Diagram



1) Shield on PIN 8