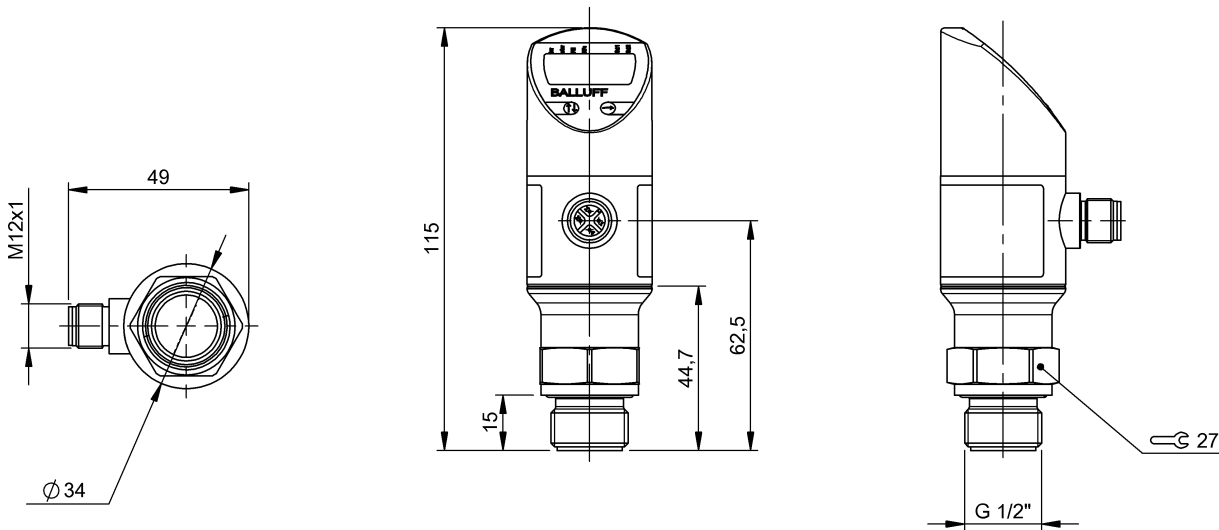


BSP B600-IV003-D00A0B-S4 BSP0061



Display/Operation

Switching function display	LED
----------------------------	-----

Electrical connection

Connection	M12x1-Connector, 4-pole, A-coded
Polarity reversal protected	yes
Short-circuit protection	yes

Electrical data

Current draw max.	50 mA
MTTF (40 °C)	368 a
Operating voltage U_b	18...36 VDC
Output current max.	500 mA
Switching cycles min.	100000000
Switching frequency	200 Hz

Environmental conditions

Ambient temperature	-40...85 °C
Compensation temperature	-25...85 °C
EN 60068-2-27, Shock	30 g, 11 ms
EN 60068-2-6, Vibration	30 g, 10...2000 Hz
Interference immunity	EN 61000-6-2: 2005
Medientemperatur	-40...125 °C
Noise emission	EN 61000-6-4: 2007
Protection class	III
Protection type IEC 60529	IP67
Storage temperature	-40...85 °C
Temperature coefficient typ.	$\leq \pm 0.3$ % FSO/10K

Functional safety

Diagnostic coverage	0.0 %
Functional safety	no
Mission Time	0 a

General data

Approval/Conformity	CE
Operating panel	2 buttons 320° rotation 4-digit, 7-segment display, red

Material

Gasket, material	FKM
Housing material	Stainless steel (1.4301), PA 6.6 6.6 PA 6.6

Mechanical data

Tightening torque max.	10 Nm
Weight	300.00 g

Output/Interface

Switching output	2x PNP
------------------	--------

Range/Distance

Long-term stability max.	0.3 % FSO/year
Repeat accuracy	$\leq \pm 0.2$ % FSO
Resolution	≤ 12 Bit
Sampling rate	2 ms

BSP B600-IV003-D00A0B-S4 BSP0061

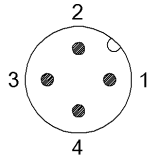
Remarks

vacuum-tight

For further information on MTTF/B10d, please refer to the MTTF / B10d Certificate.

Specification of the MTTF value and the B10d value do not represent any binding quality and/or life expectancy guarantees.

Connector view



Wiring Diagram

