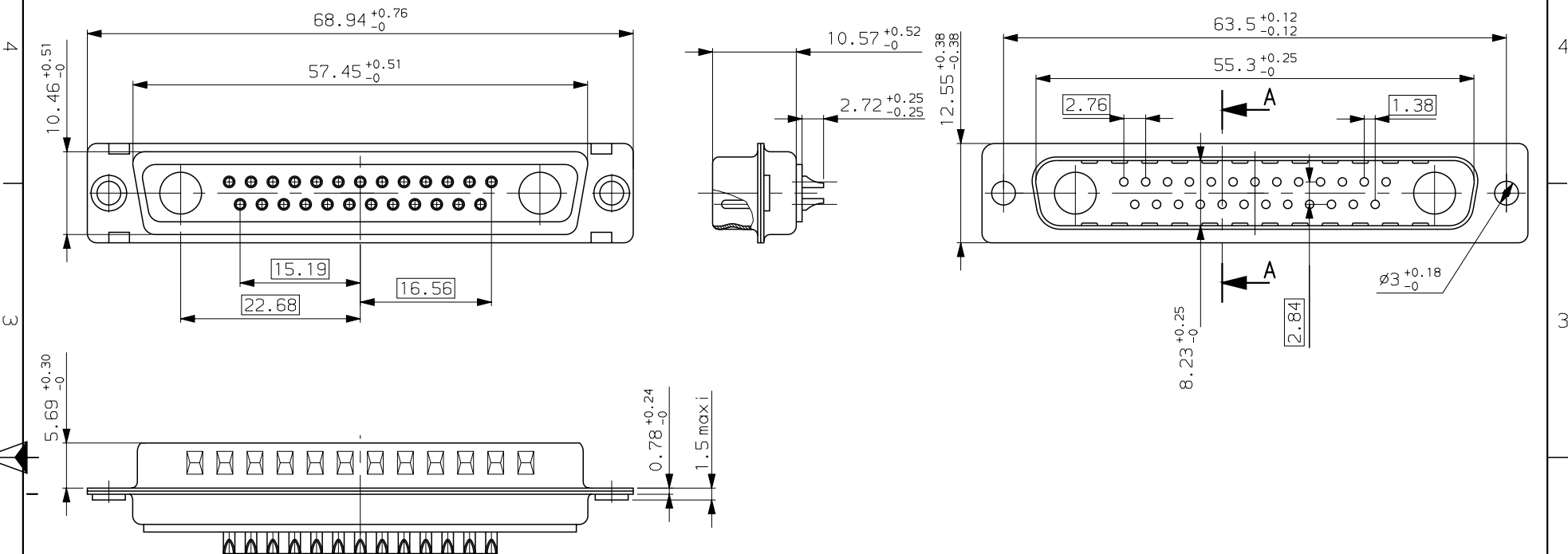
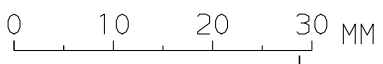


GENERAL CHARACTERISTICS : SEE DRAWING C01-8639-0000



DC27W2PA00
PART NUMBER



b	21/10/03	update	--
ISS	DATE	Latest modification by : DEBRAY.T	MOD N°
Designed by: JARRY		date 07/02/97	Type of drawing: CLIENT
TITLE : PIN CONNECTOR WITH SOLDER CONTACT			SHEET 1/1
SCALE: 2	FRAMATOME CONNECTORS FRANCE Rue Louis Breguet - BP 05 72024 LE MANS Cedex Tel. (33)02.43.78.34.00		This document is the property of FRAMATOME CONNECTORS FRANCE It must not be reproduced or communicated without permission in writing from the owners
FORMAT A3	DRG N° C01-8639-1500	PROJECT M94D001	