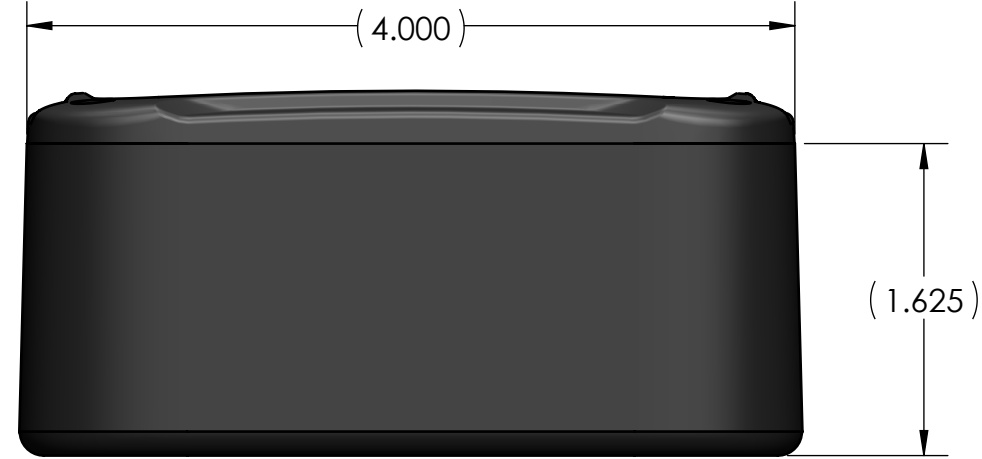
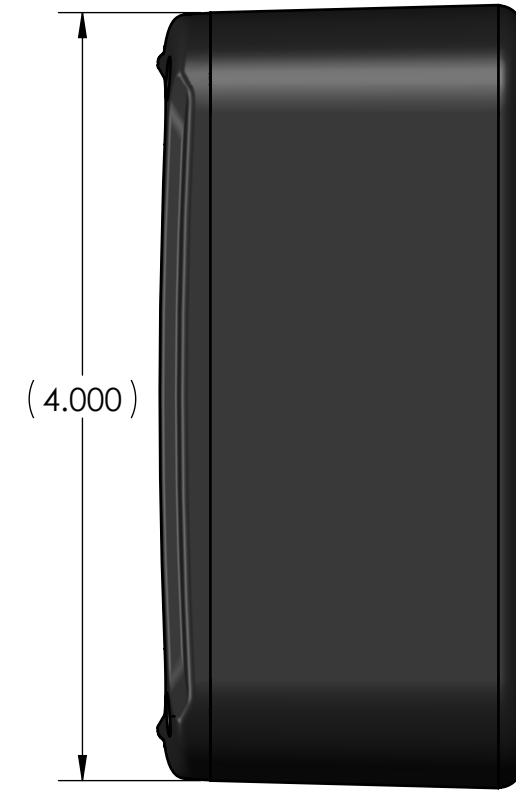
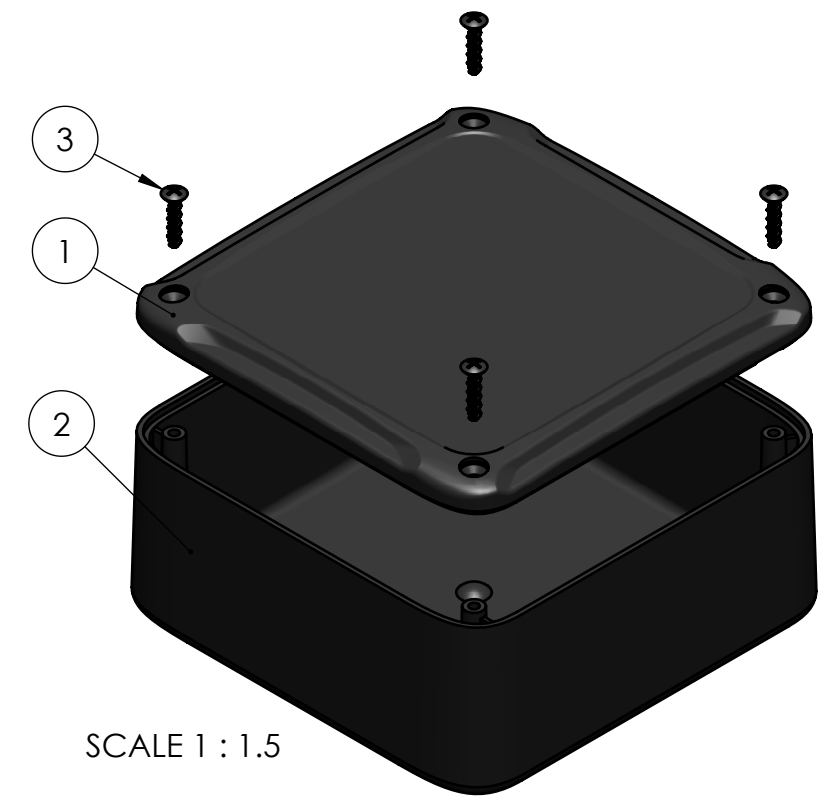


BOM Table							
ITEM NO.	PART NUMBER	Rev.	Description	Material	Color	FlameRating	XR-44PMBT/QTY.
1	XR-44C-T	-	COVER, TEXTURED/FLUSH	ABS	BLACK	UL94-5VA	1
2	XR-44BPMB	-	BASE, W/O FLANGES, W/PCB BOSSES	ABS	BLACK	UL94-5VA	1
3	SCREWS-LP-BR	-	4-24 X .5 CROSS OVAL C'SUNK HEAD THREAD FORMING SCREW	1019-1022 OR EQ.			4



SECTION A-A

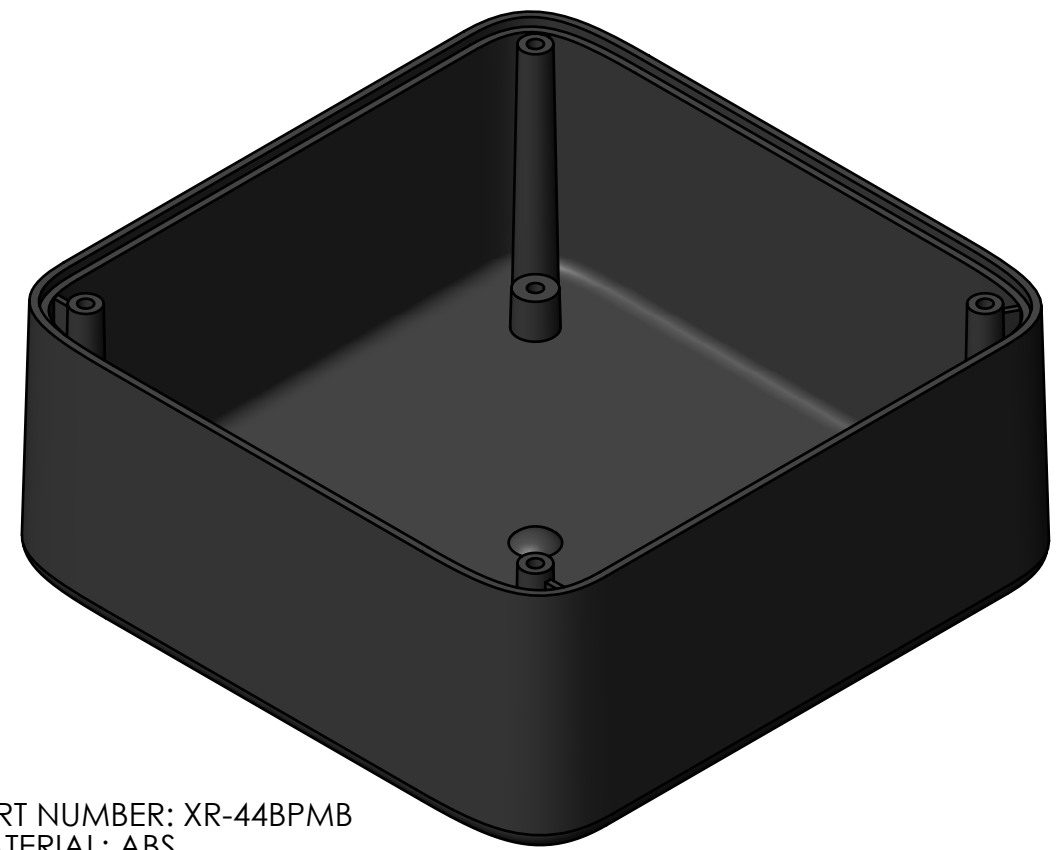
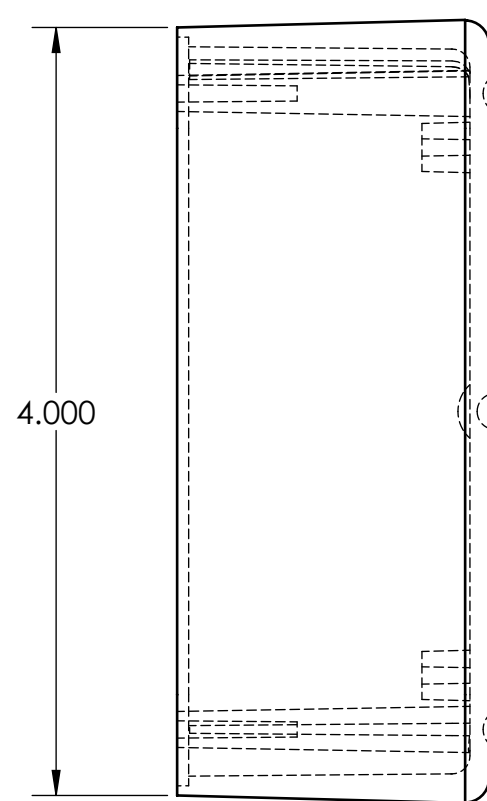
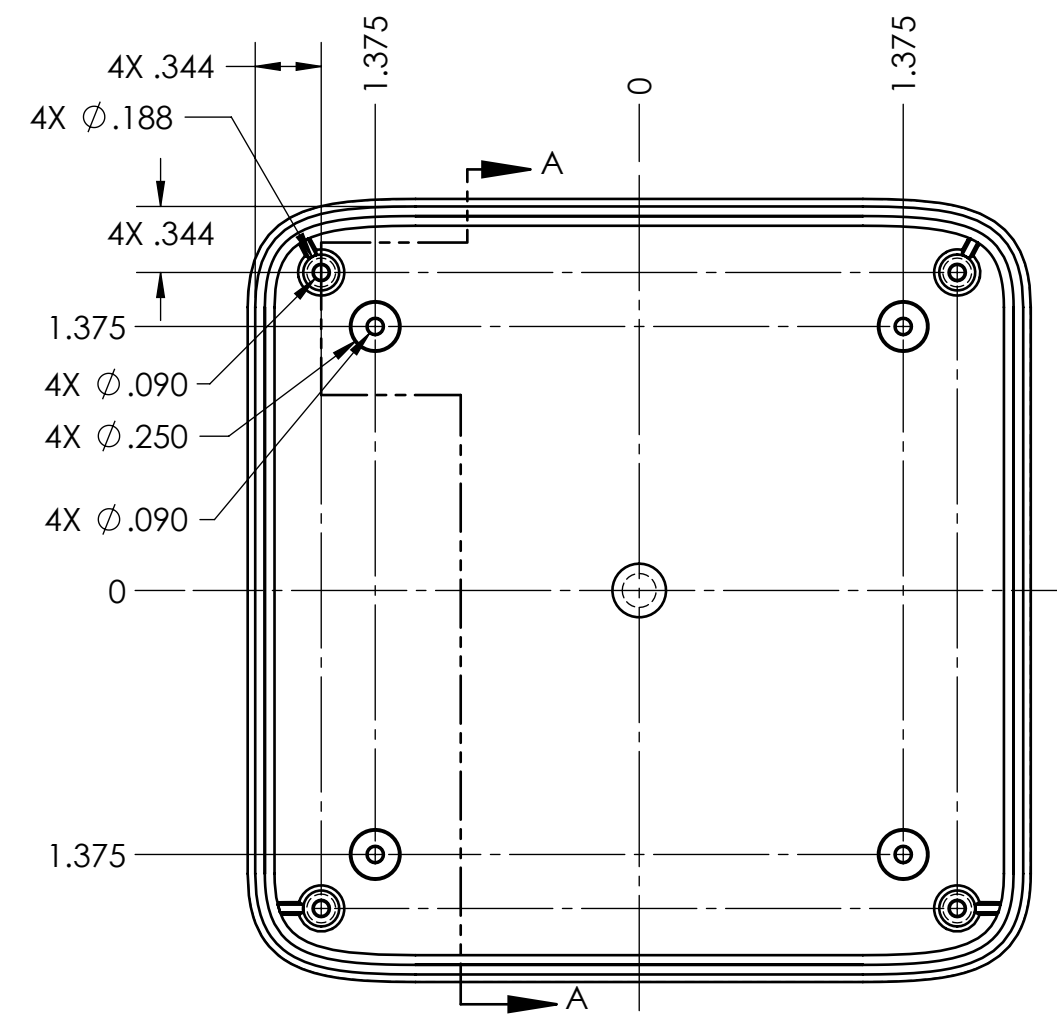
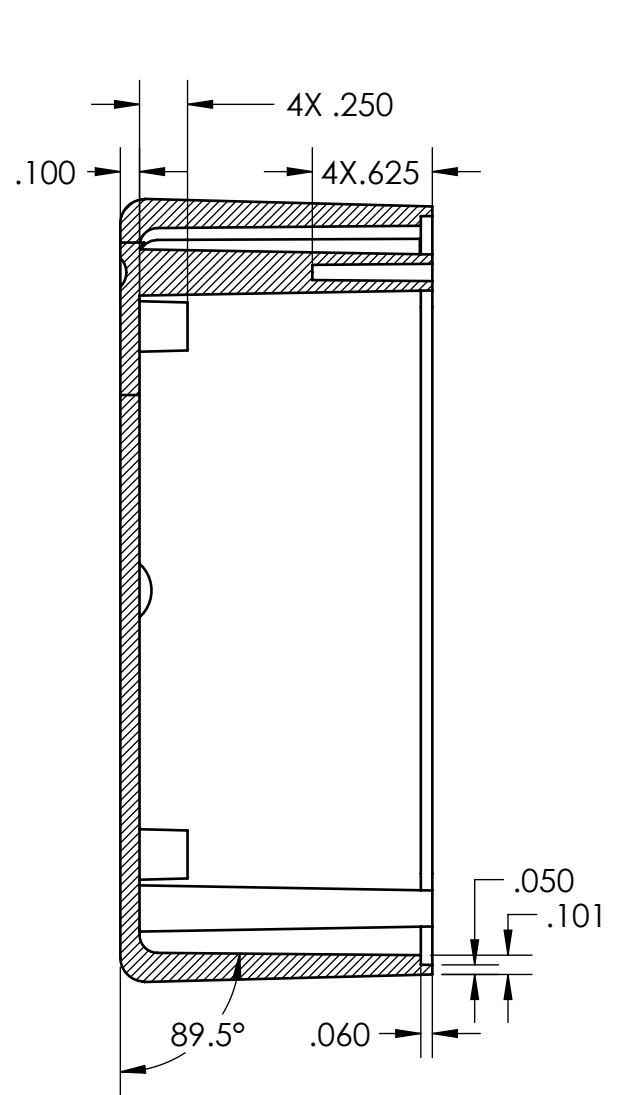


SCALE 1 : 1.5

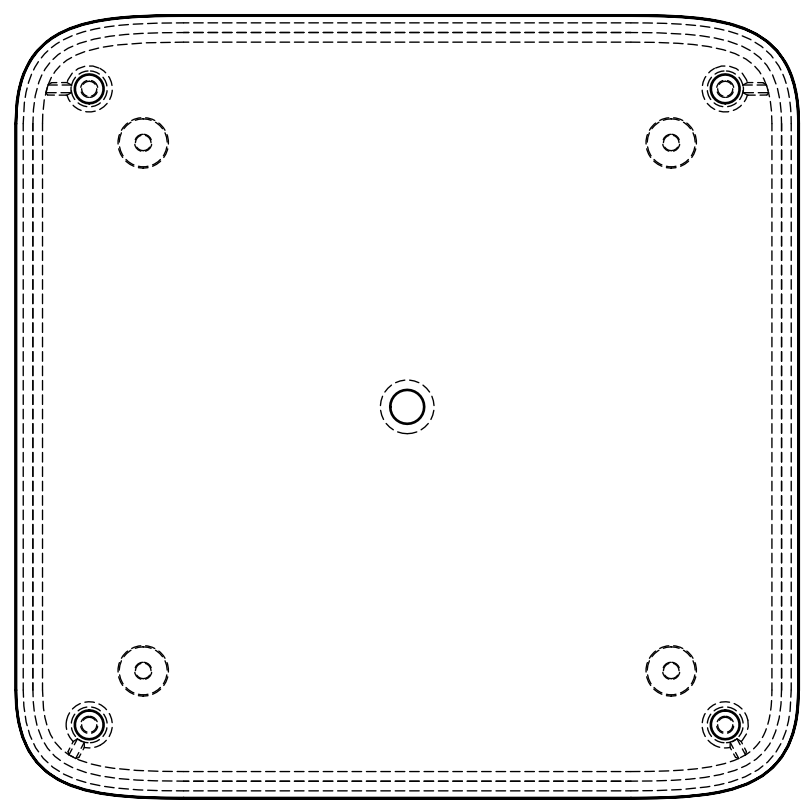
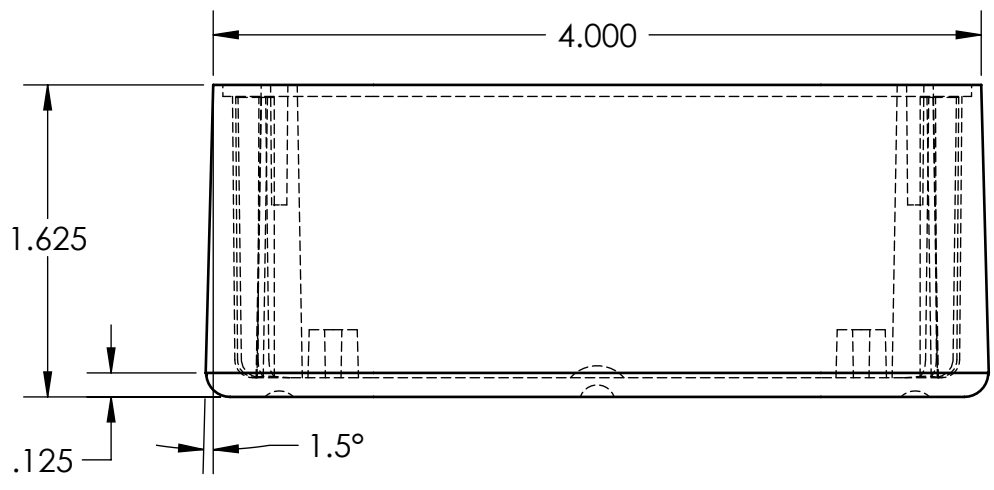
PART NUMBER: XR-44PMBT
FLAME RATING: UL94-5VA

UNLESS OTHERWISE SPECIFIED: DIMENSIONS ARE IN: INCHES[mm] TOLERANCES: ANGULAR: ±2° TWO PLACE DECIMAL: ±.010 THREE PLACE DECIMAL: ±.005 PRINTED GRAPHICS: ±.010		PART NO. XR-44PMBT		 <small>1305 CHESTER RD. PARKWAY AVON, OHIO 44011-1083 U.S.A. PH: 1-800-248-1233 440-934-0444 FAX: 440-934-0088</small>				
PROPRIETARY AND CONFIDENTIAL THE INFORMATION CONTAINED IN THIS DRAWING IS THE SOLE PROPERTY OF POLYCASE. ANY REPRODUCTION IN PART OR AS A WHOLE WITHOUT THE WRITTEN PERMISSION OF POLYCASE IS PROHIBITED. CAD FILE: XR-44PMBT		MATERIAL				FLAME RATING UL94-5VA	SIZE C	
REV.	DESCRIPTION	ZONE	BY	APPR'D	DATE	NAME D.M.F. DATE B.M.B. 3/30/2012	XR-44 ASM, W/O FLANGES, TEXTURED/FLUSH	REV -
REVISIONS						SCALE: 1:1	SHEET 1 OF 1	

		TOLERANCE CHART																											
DIMENSION RANGE	0	.039	.118	.236	.394	.591	.866	1.181	1.575	2.087	2.756	3.543	4.724	6.299	7.874	9.843	12.402	15.748	19.685	24.803	31.496								
		.039	.118	.236	.394	.591	.866	1.181	1.575	2.087	2.756	3.543	4.724	6.299	7.874	9.843	12.402	15.748	19.685	24.803	31.496								
TOOL DEPENDENT	±.007	±.007	±.008	±.008	±.009	±.010	±.011	±.012	±.013	±.015	±.017	±.020	±.024	±.028	±.035	.043	.051	.063	.079	.098	.118								
NON-TOOL DEPENDENT	±.003	±.004	±.004	±.004	±.005	±.006	±.007	±.008	±.009	±.011	±.013	±.016	±.020	±.024	±.031	.039	.047	.059	.075	.094	.114								

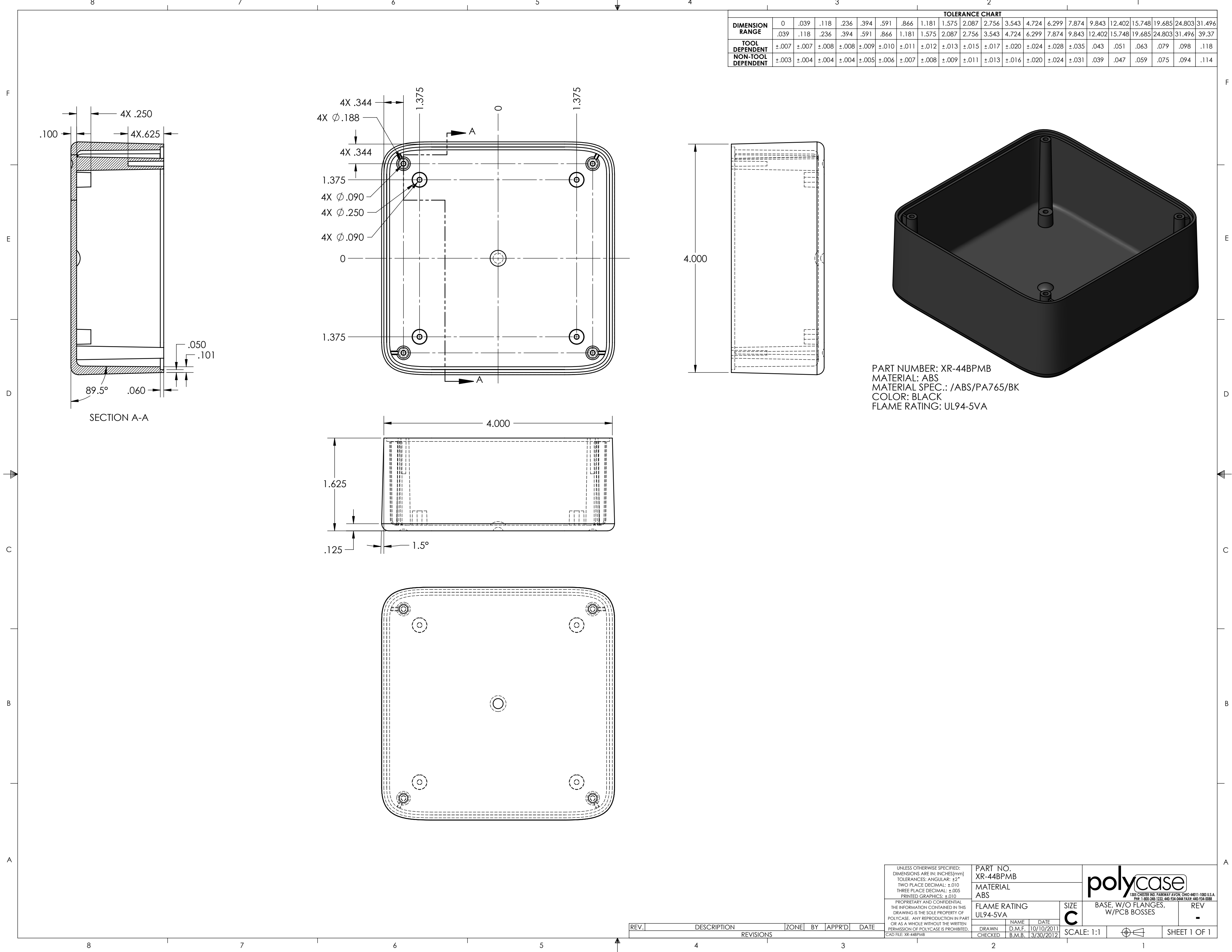


PART NUMBER: XR-44BPMB
 MATERIAL: ABS
 MATERIAL SPEC.: /ABS/PA765/BK
 COLOR: BLACK
 FLAME RATING: UL94-5VA

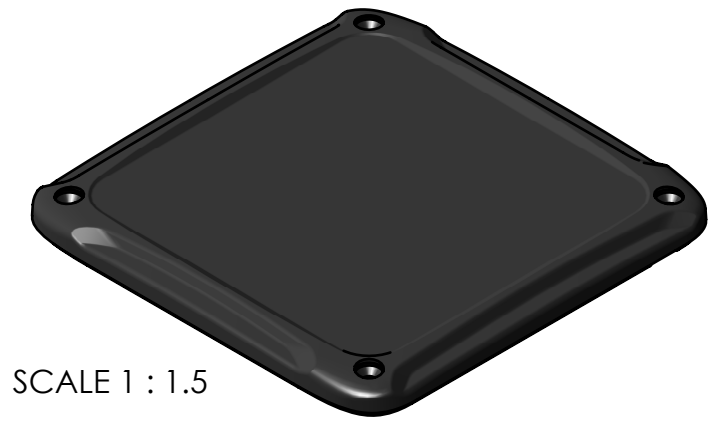
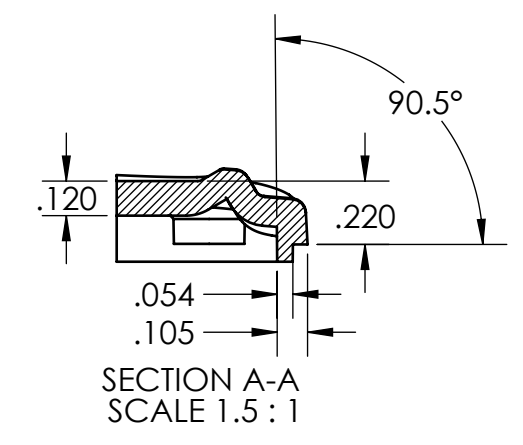
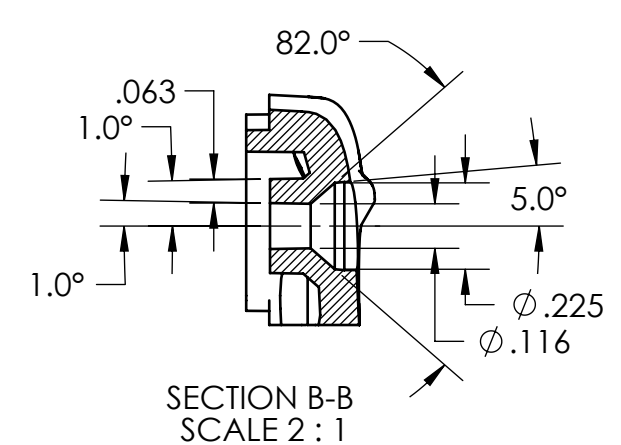
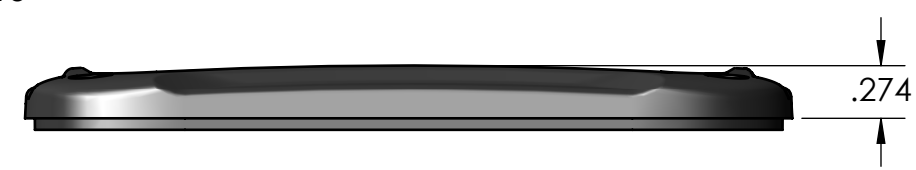
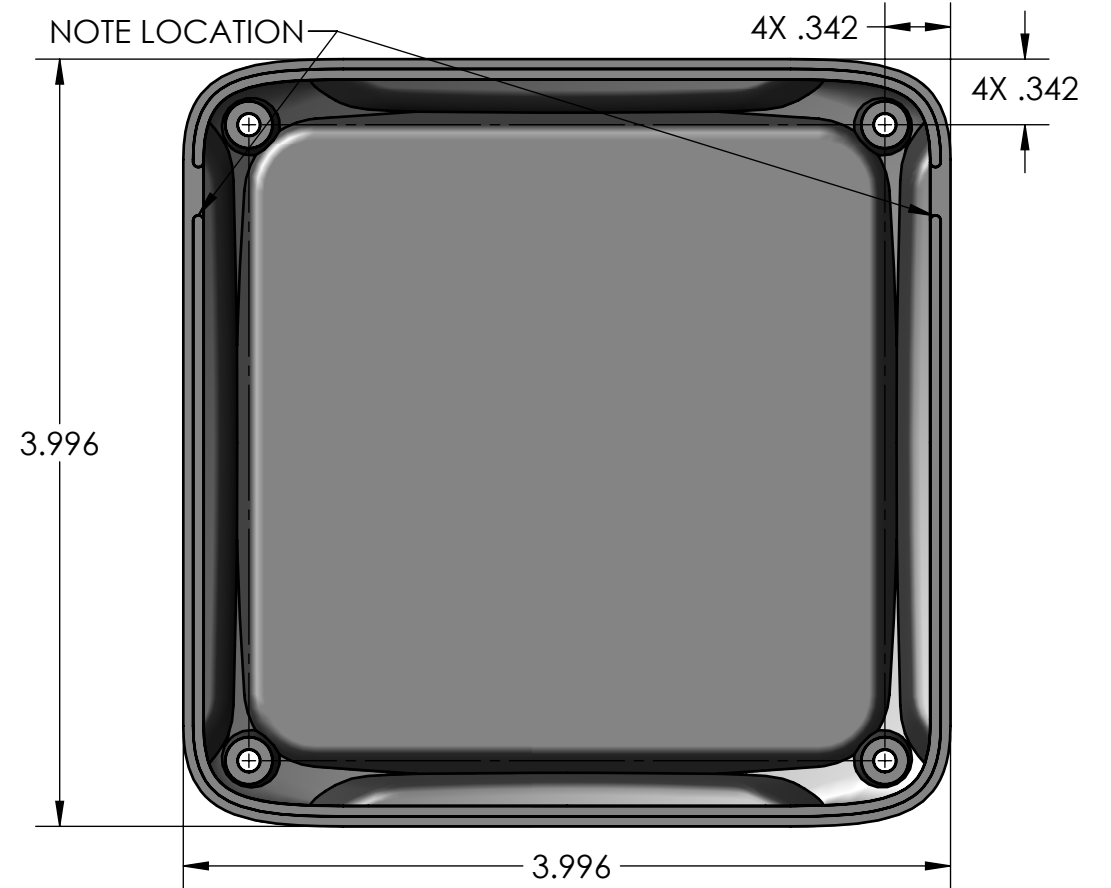
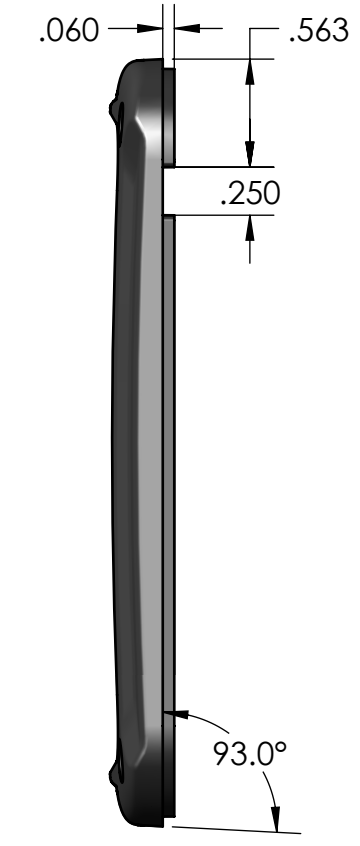
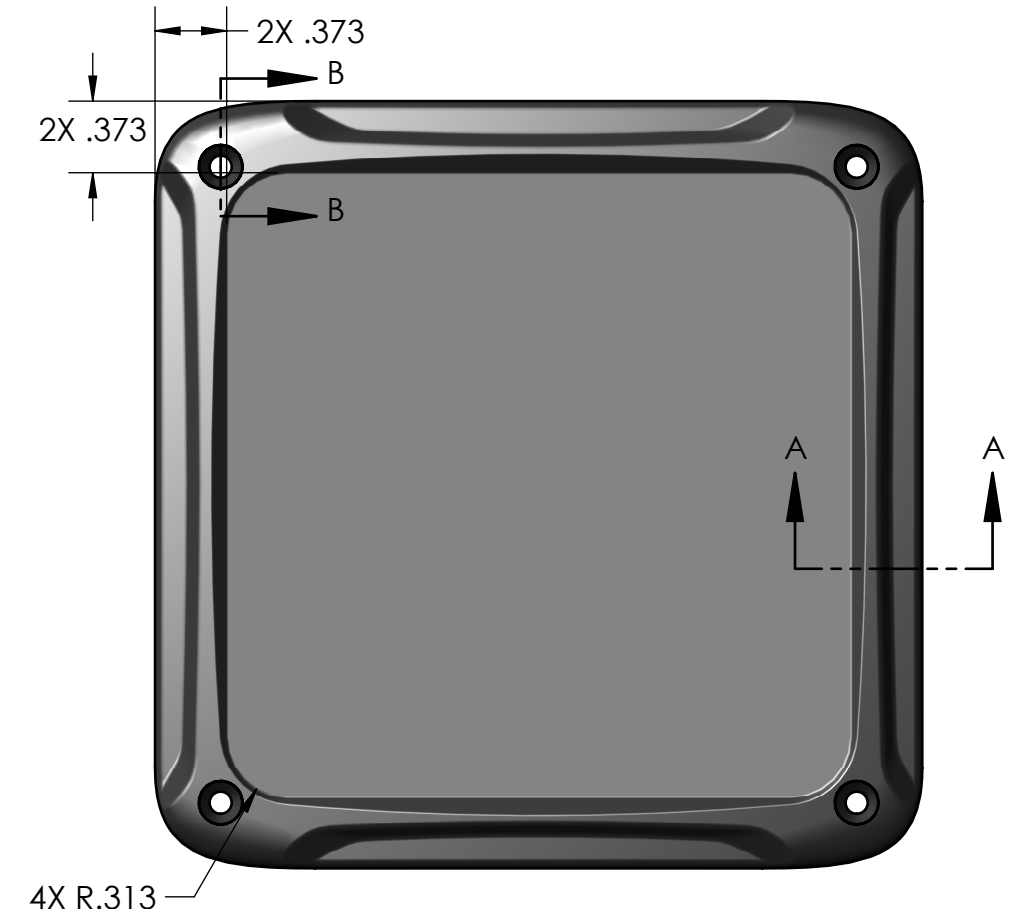


UNLESS OTHERWISE SPECIFIED: DIMENSIONS ARE IN: INCHES[mm] TOLERANCES: ANGULAR: ±2° TWO PLACE DECIMAL: ±.010 THREE PLACE DECIMAL: ±.005 PRINTED GRAPHICS: ±.010		PART NO. XR-44BPMB		 <small>1303 CHESTER RD. PARKWAY AVON, OHIO 44011-1083 U.S.A. PH: 1-800-248-1233 440-934-0044 FAX: 440-934-0088</small>	
PROPRIETARY AND CONFIDENTIAL THE INFORMATION CONTAINED IN THIS DRAWING IS THE SOLE PROPERTY OF POLYCASE. ANY REPRODUCTION IN PART OR AS A WHOLE WITHOUT THE WRITTEN PERMISSION OF POLYCASE IS PROHIBITED. CAD FILE: XR-44BPMB		MATERIAL ABS			
DRAWN CHECKED		NAME DATE		BASE, W/O FLANGES, W/PCB BOSSES	
D.M.F. 10/10/2011 B.M.B. 3/30/2012		SCALE: 1:1		REV -	

REV.	DESCRIPTION	ZONE	BY	APPR'D	DATE
REVISIONS					



TOLERANCE CHART												
DIMENSION RANGE	0	.039	.118	.236	.394	.591	.866	1.181	1.575	2.087	2.756	3.543
TOOL DEPENDENT	±.007	±.007	±.008	±.008	±.009	±.010	±.011	±.012	±.013	±.015	±.017	±.020
NON-TOOL DEPENDENT	±.003	±.004	±.004	±.004	±.005	±.006	±.007	±.008	±.009	±.011	±.013	±.016



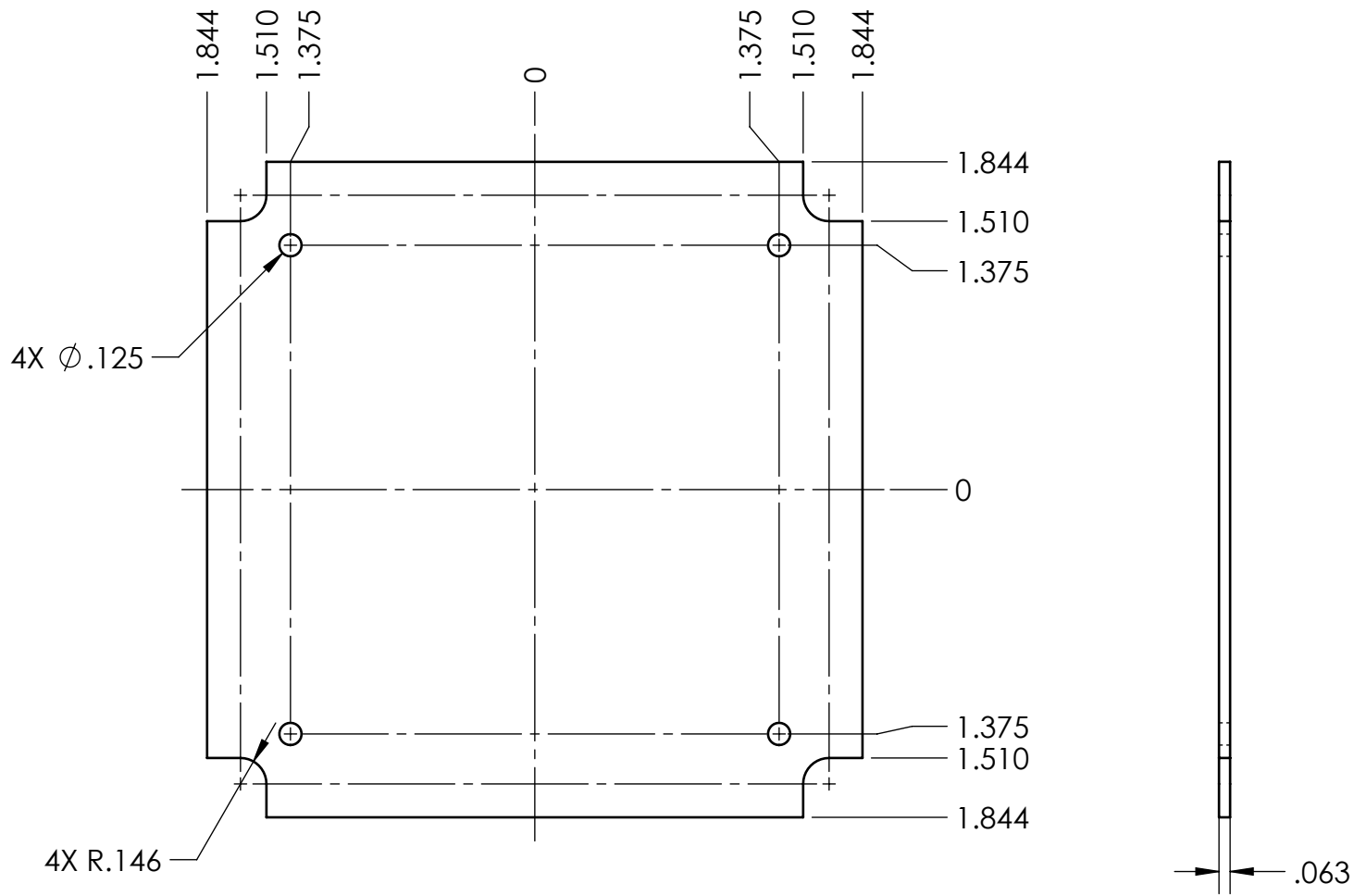
SCALE 1 : 1.5
 PART NUMBER: XR-44C-T
 MATERIAL: ABS
 MATERIAL SPEC.: /ABS/PA765/BK
 COLOR: BLACK
 FLAME RATING: UL94-5VA

UNLESS OTHERWISE SPECIFIED: DIMENSIONS ARE IN: INCHES [mm] TOLERANCES: ANGULAR: ±2° TWO PLACE DECIMAL: ±.010 THREE PLACE DECIMAL: ±.005 PRINTED GRAPHICS: ±.010	PART NO. XR-44C-T		polycase 1305 CHESTER IND. PARKWAY AVON, OHIO 44011-1083 U.S.A. PH#: 1-800-248-1233, 440-934-0444 FAX#: 440-934-0088			
	MATERIAL ABS					
	FLAME RATING UL94-5VA		SIZE B	COVER, TEXTURED/FLUSH	REV -	
	DRAWN D.M.F. 10/10/2011		NAME B.M.B.	DATE 3/30/2012	SCALE: 1:1	⊕

REV.	DESCRIPTION	ZONE	BY	APPR'D	DATE
REVISIONS					


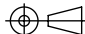
8 7 6 5 4 3 2 1

8 7 6 5 4 3 2 1



NOTES:

1. INCLUDES .030 CLEARANCE FROM THE INTERIOR OF XR-44B.

UNLESS OTHERWISE SPECIFIED: DIMENSIONS ARE IN: INCHES [mm] TOLERANCES: ANGULAR: ±2° TWO PLACE DECIMAL: ±.010 THREE PLACE DECIMAL: ±.005 PRINTED GRAPHICS: ±.010	PART NO. XR-44B-PCB		 <small>1305 CHESTER IND. PARKWAY AVON, OHIO 44011-1083 U.S.A. PH#: 1-800-248-1233, 440-934-0444 FAX#: 440-934-0088</small>																			
	MATERIAL																					
PROPRIETARY AND CONFIDENTIAL THE INFORMATION CONTAINED IN THIS DRAWING IS THE SOLE PROPERTY OF POLYCASE. ANY REPRODUCTION IN PART OR AS A WHOLE WITHOUT THE WRITTEN PERMISSION OF POLYCASE IS PROHIBITED. CAD FILE: XR-44B-PCB	FLAME RATING		SIZE A	XR-44B PCB Template (not supplied)	REV -																	
	<table border="1"> <tr> <td>REV.</td> <td>DESCRIPTION</td> <td>ZONE</td> <td>BY</td> <td>APPR'D</td> <td>DATE</td> </tr> <tr> <td colspan="6" style="text-align: center;">REVISIONS</td> </tr> </table>	REV.	DESCRIPTION	ZONE	BY	APPR'D	DATE	REVISIONS						<table border="1"> <tr> <td>DRAWN</td> <td>D.M.F.</td> <td>2/29/2012</td> </tr> <tr> <td>CHECKED</td> <td>B.M.B.</td> <td>3/30/2012</td> </tr> </table>	DRAWN	D.M.F.	2/29/2012	CHECKED	B.M.B.	3/30/2012	SCALE: 1:1	
REV.	DESCRIPTION	ZONE	BY	APPR'D	DATE																	
REVISIONS																						
DRAWN	D.M.F.	2/29/2012																				
CHECKED	B.M.B.	3/30/2012																				

5

4

3

2

1

D
C
B
A