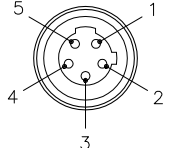
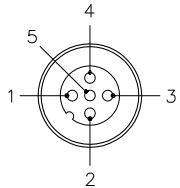
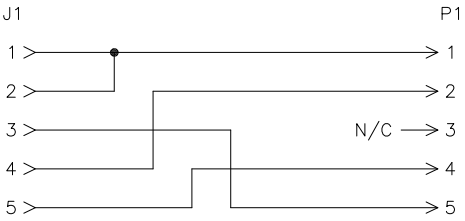


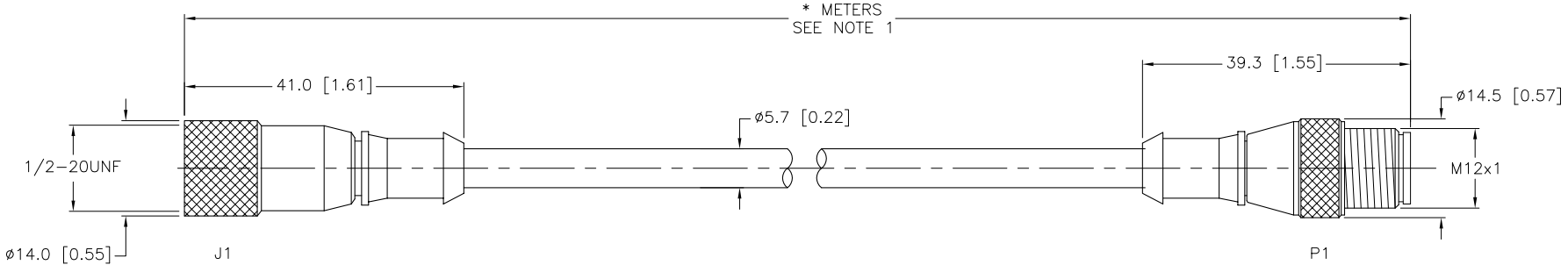


FEMALE END VIEW	MALE END VIEW	WIRING DIAGRAM	SPECIFICATIONS																						
 <p>1 = BROWN 2 = JUMPER TO PIN 1 3 = BLUE 4 = BLACK 5 = GRAY</p>	 <p>1 = BROWN 2 = BLACK 3 = N/C 4 = GRAY 5 = BLUE</p>		<table border="1" style="width:100%; border-collapse: collapse;"> <tr> <td style="width:50%;">CONTACT CARRIER MATERIAL</td> <td>NYLON OR TPU</td> </tr> <tr> <td>MOLDED HEAD MATERIAL/COLOR</td> <td>TPU/YELLOW</td> </tr> <tr> <td>CONTACT MATERIAL/PLATING</td> <td>BRASS/GOLD</td> </tr> <tr> <td>COUPLING NUT</td> <td>BRASS/NICKEL</td> </tr> <tr> <td>RATED CURRENT [A]</td> <td>4.0 A</td> </tr> <tr> <td>RATED VOLTAGE [V]</td> <td>250 V</td> </tr> <tr> <td>OUTER JACKET MATERIAL/COLOR</td> <td>PVC/GRAY</td> </tr> <tr> <td>CONDUCTOR INSULATION MATERIAL</td> <td>PVC</td> </tr> <tr> <td>NUMBER OF CONDUCTORS [AWG]</td> <td>5x22 AWG</td> </tr> <tr> <td>TEMPERATURE RANGE</td> <td>-40°C to +105°C (-40°F to +221°F)</td> </tr> <tr> <td>PROTECTION CLASS</td> <td>MEETS NEMA 1,3,4,6P AND IEC IP67</td> </tr> </table>	CONTACT CARRIER MATERIAL	NYLON OR TPU	MOLDED HEAD MATERIAL/COLOR	TPU/YELLOW	CONTACT MATERIAL/PLATING	BRASS/GOLD	COUPLING NUT	BRASS/NICKEL	RATED CURRENT [A]	4.0 A	RATED VOLTAGE [V]	250 V	OUTER JACKET MATERIAL/COLOR	PVC/GRAY	CONDUCTOR INSULATION MATERIAL	PVC	NUMBER OF CONDUCTORS [AWG]	5x22 AWG	TEMPERATURE RANGE	-40°C to +105°C (-40°F to +221°F)	PROTECTION CLASS	MEETS NEMA 1,3,4,6P AND IEC IP67
CONTACT CARRIER MATERIAL	NYLON OR TPU																								
MOLDED HEAD MATERIAL/COLOR	TPU/YELLOW																								
CONTACT MATERIAL/PLATING	BRASS/GOLD																								
COUPLING NUT	BRASS/NICKEL																								
RATED CURRENT [A]	4.0 A																								
RATED VOLTAGE [V]	250 V																								
OUTER JACKET MATERIAL/COLOR	PVC/GRAY																								
CONDUCTOR INSULATION MATERIAL	PVC																								
NUMBER OF CONDUCTORS [AWG]	5x22 AWG																								
TEMPERATURE RANGE	-40°C to +105°C (-40°F to +221°F)																								
PROTECTION CLASS	MEETS NEMA 1,3,4,6P AND IEC IP67																								
																									



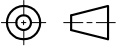

CABLE LENGTH	TOLERANCE
ALL LENGTHS	+ 4% (OR 50mm) OF LENGTH - 0% (OR 0mm) OF LENGTH WHICHEVER IS GREATER
STRIP LENGTH	TOLERANCE
0-7mm	±0.5mm
8-29mm	±1.0mm
30-49mm	±2.0mm
50-69mm	±3.0mm
70-100mm	±4.0mm
OVER 100mm	±5.0mm

NOTES:

1. "*" INDICATES CABLE LENGTH IN METERS. CONTACT TURCK TO ORDER SPECIFIC LENGTHS.

2. "/CS12738" DESIGNATES CUSTOM WIRING AND TRIM OFF ALL UNUSED CONDUCTOR WIRES.

SOURCE DRAWING - FOR REFERENCE ONLY

RELATED DOCUMENTS 1. 2. 3. 4.	3RD ANGLE PROJECTION 	THIS DRAWING IS PROPERTY OF TURCK INC. USE OF THIS DOCUMENT WITHOUT WRITTEN PERMISSION IS PROHIBITED.	 High Technology Sensors and Automation Controls	3000 CAMPUS DRIVE MINNEAPOLIS, MN 55441 1-800-544-7769 (763) 553-7300 (763) 553-0708 fax turck.com
MATERIAL	SEE SPECIFICATIONS	DRFT RDS	DATE 04/30/10	DESCRIPTION
FINISH	SEE SPECIFICATIONS	DSGN	SCALE 1=1.0	KB 5T-*--RS 4.5T/CS12738
		UNIT OF MEASUREMENT MILLIMETER [INCH]		IDENTIFICATION NO.
		DO NOT SCALE THIS DRAWING		REV B
B	DRAWING PROCESSED AS PART OF ECO 33971	CBM	04/07/11	33971
REV	DESCRIPTION	BY	DATE	ECO NO.