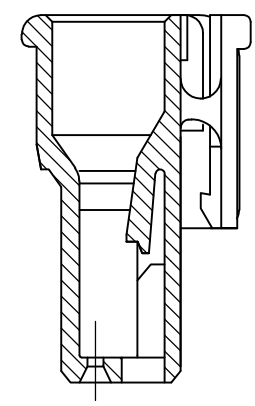
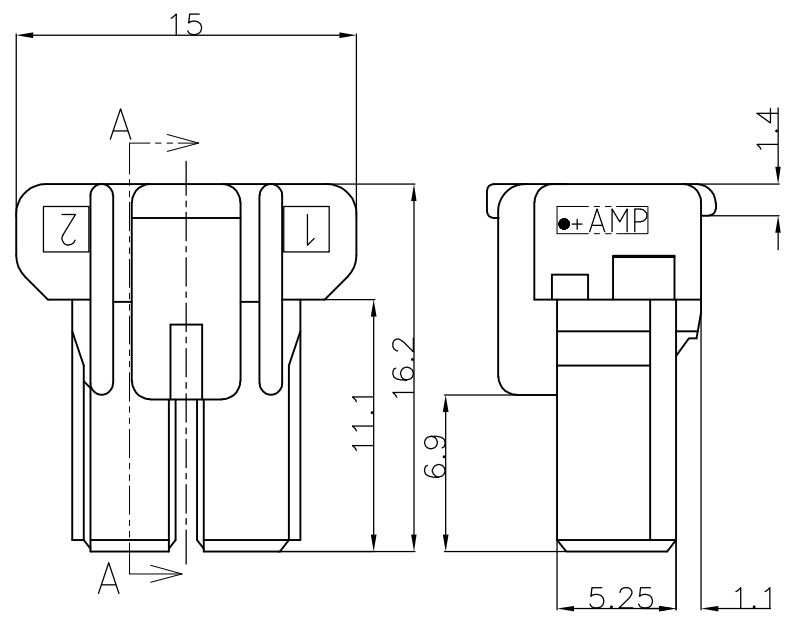
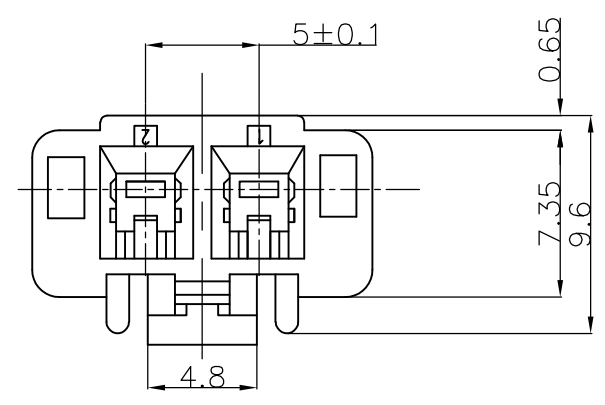
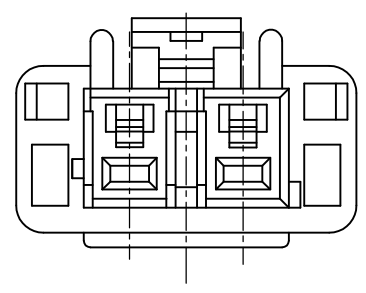


THIS DRAWING IS UNPUBLISHED. RELEASED FOR PUBLICATION
 © COPYRIGHT BY TYCO ELECTRONICS CORPORATION. ALL RIGHTS RESERVED.

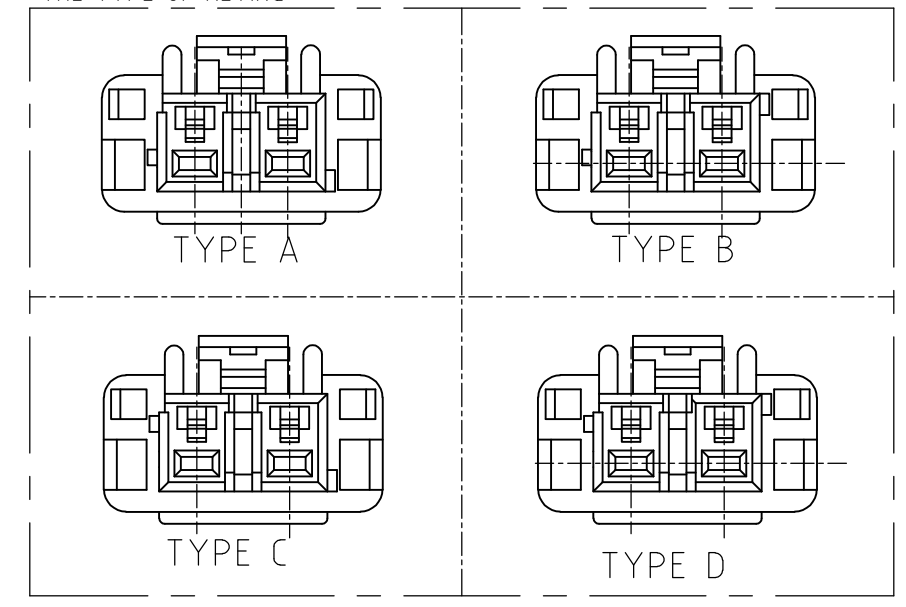
LOC	DIST	REVISIONS					
		P	LTR	DESCRIPTION	DATE	DWN	APVD
J	—	A	REVIS	ECR-08-026233	17OCT'08	J.S	S.M
		B	REVIS	ECR-12-015003	23AUG12	A.Z	F.M
		B1	REVIS	ECR-13-019683	18DEC13	A.Z	D.Z



断面 A-A
SECT A-A



キーイングタイプ
THE TYPE OF KEYING



HOSING	6/6 NYLON GRASS FILLED/ NYLON 6
NAME	MATERIAL

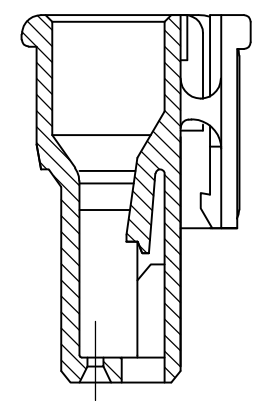
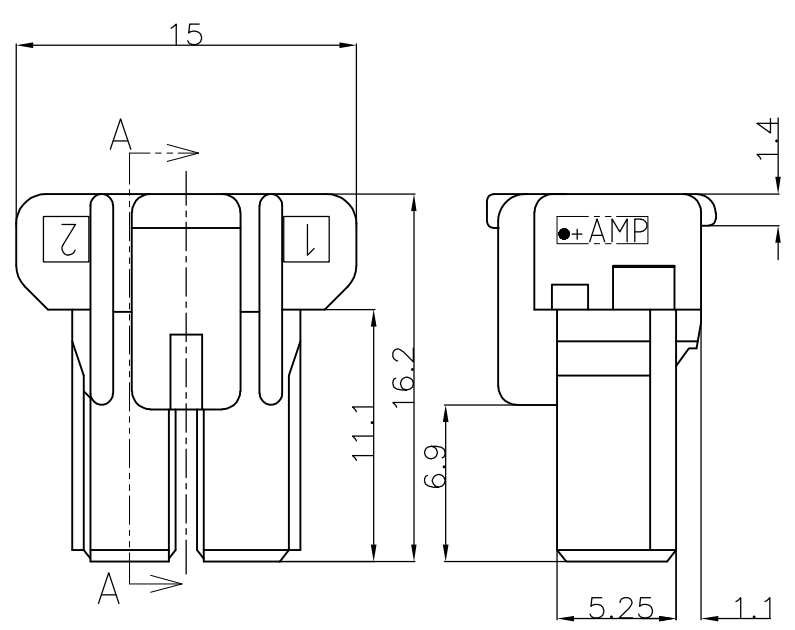
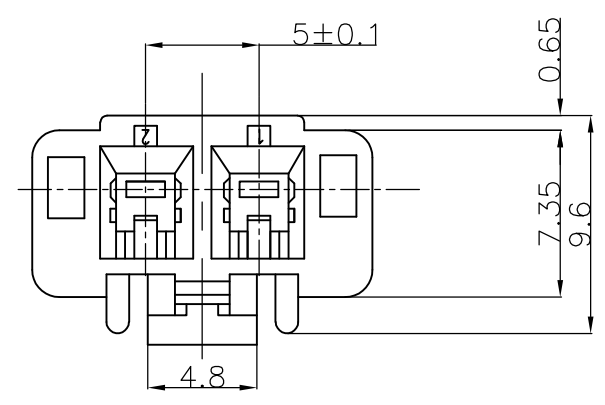
- NOTES)
- MATING CONN. P/N
HEADER ASS'Y :SEE TABLE
REC CONTACT ;1376347-1,1376348-1
 - APPLICABLE PLATE P/N :1376394-1
 - 1376388-5 COMPLY WITH GLOW WIRE
REQUIREMENT FOR PARTS OF NON-METALLIC
MATERIAL SUPPORTING A CURRENT-CARRYING
CONNECTION DETAILED IN IEC 60335-1,
SECTION 30 (GWT) .

Part No.	Type	Color	Pos	Part No.
1376382-5	TYPE A	自然色 NATURAL	2極 2Pos	1376388-5
3-1376382-4	TYPE D	黄色 YELLOW	2極 2Pos	3-1376388-4
2-1376382-3	TYPE C	青色 BLUE	2極 2Pos	2-1376388-3
1-1376382-2	TYPE B	赤色 RED	2極 2Pos	1-1376388-2
1376382-1	TYPE A	自然色 NATURAL	2極 2Pos	1376388-1
かん合相手 (ヘッダー) P/N MATING CONN. P/N	キーイングタイプ THE TYPE OF KEYING	色 Color	極数 Pos	型番 PART NO.

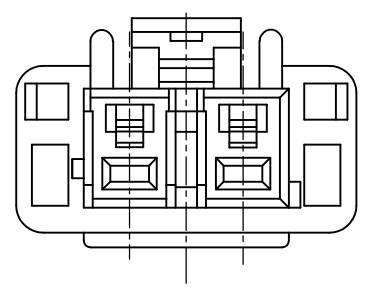
THIS DRAWING IS A CONTROLLED DOCUMENT.		DWN A.OISHI 31AUG00	Tyco Electronics AMP K.K. Kawasaki, Japan	
DIMENSIONS: 単位: 耗 mm	TOLERANCES UNLESS OTHERWISE SPECIFIED: 一般公差	CHK Y.KASHIWA 28AUG'00	NAME 名称 5.0 POWER KEY CONNECTOR 2P PLUG HOUSING	
	0 PLC ± 0.2	APVD Y.KASHIWA 28AUG'00	PRODUCT SPEC 製品規格 108-5699	SIZE A3
	1 PLC ±	PRODUCT SPEC 製品規格 108-5699	APPLICATION SPEC 取付適用規格 114-5292	
MATERIAL 材料 SEE TABLE	FINISH 仕上 SEE TABLE	WEIGHT —	CAGE CODE 00779	DRAWING NO 番号 G-1376388
CUSTOMER DRAWING			RESTRICTED TO —	SCALE 尺度 3:1
			SHEET 1 OF 2	REV B1

THIS DRAWING IS UNPUBLISHED. RELEASED FOR PUBLICATION
 © COPYRIGHT BY TYCO ELECTRONICS CORPORATION. ALL RIGHTS RESERVED.

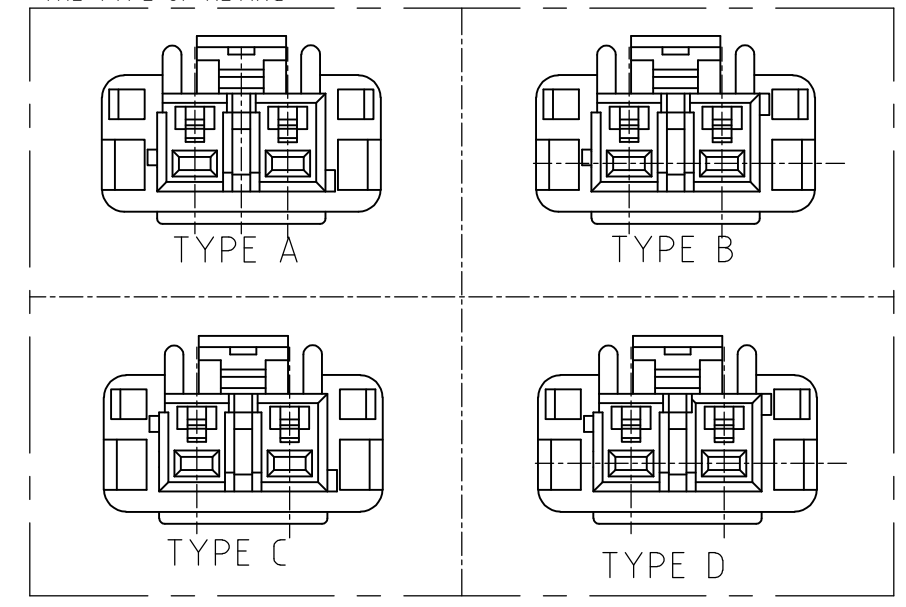
LOC	DIST	REVISIONS					
		P	LTR	DESCRIPTION	DATE	DWN	APVD
J	—	—	—	SEE SHEET 1	—	—	—



断面 A-A
SECT A-A



キーイングタイプ
THE TYPE OF KEYING



HOSING	6/6 NYLON
NAME	MATERIAL

- NOTES)
 1. MATING CONN. P/N
 HEADER ASS'Y :SEE TABLE
 REC CONTACT ;1376347-1,1376348-1
 2. APPLICABLE PLATE P/N :1376394-1

Part No.	Keying Type	Color	Pos	Part No.
3-1376382-5	TYPE D	黄色 YELLOW	2極 2Pos	3-1376388-5
2-1376382-4	TYPE C	青色 BLUE	2極 2Pos	2-1376388-4
1-1376382-3	TYPE B	赤色 RED	2極 2Pos	1-1376388-3
1376382-2	TYPE A	自然色 NATURAL	2極 2Pos	1376388-2
かん合相手 (ヘッダー) P/N MATING CONN. P/N	キーイングタイプ THE TYPE OF KEYING	色 Color	極数 Pos	型番 PART NO.

THIS DRAWING IS A CONTROLLED DOCUMENT.		DWN A.OISHI 31AUG00	Tyco Electronics AMP K.K. Kawasaki, Japan		
DIMENSIONS: 単位: 耗 mm		CHK Y.KASHIWA 28AUG'00	NAME 名称 5.0 POWER KEY CONNECTOR 2P PLUG HOUSING		
TOLERANCES UNLESS OTHERWISE SPECIFIED: 一般公差		APVD Y.KASHIWA 28AUG'00	PRODUCT SPEC 製品規格 108-78863		
0 PLC ± 0.2 1 PLC ± 2 PLC ± 3 PLC ± 4 PLC ± ANGLES ± 1°		APPLICATION SPEC 取付適用規格 114-5292		SIZE A3	CAGE CODE 00779
MATERIAL 材料 SEE TABLE	FINISH 仕上 SEE TABLE	WEIGHT —	DRAWING NO 番号 G-1376388		RESTRICTED TO —
CUSTOMER DRAWING			SCALE 尺度 3:1	SHEET 2 OF 2	REV B1