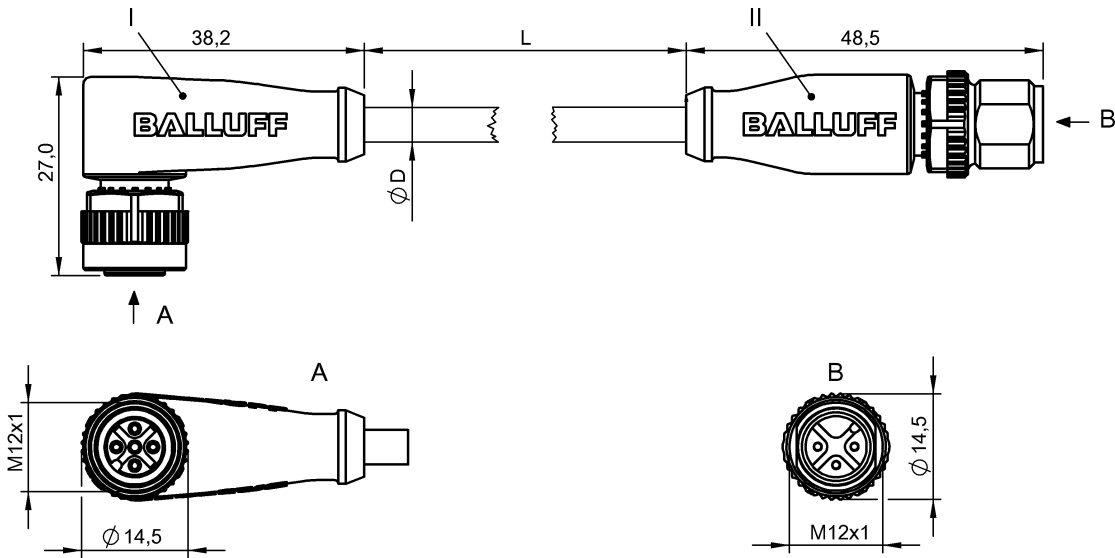


BCC M425-M413-3A-602-VX8334-050  
BCC039F



4MT5  
(CJ/JV CABLE ASSEMBLY)

## Display/Operation

Function indicator (Pin 4)	LED yellow
Power indicator	LED green/no

## Electrical connection

Bending radius min., fixed cable	5 x D
Bending radius min., flexible cable	10 x D
Cable	PVC gray, 5.00 m, Drag chain compatible
Cable diameter D	4.50 mm ±0.15 mm
Cable, bending cycles min.	2 million
Conductor cross-section	0.34 mm <sup>2</sup>
Number of conductors	3
Number of pins	5/3
System	Molded/Molded

## Electrical data

Horizontal travel permitted, drag chain	5 m
Vertical travel permitted, drag chain	2 m

## Environmental conditions

Cable temperature, drag chain	-5...60 °C
Cable temperature, fixed routing	-40...105 °C
Cable temperature, flexible routing	5...105 °C
Protection type IEC 60529	IP68 /IP68

## Functional safety

Cable temperature UL max., fixed routing	80 °C
--	-------

Cable temperature UL max., flexible routing 80 °C

## General data

Approval/Conformity	cULus LISTED
---------------------	--------------

## Material

Material contact carrier	PUR/PUR
Material contacts	Bronze/Brass
Material cover nut	Die-cast zinc/Die-cast zinc
Material grip	PUR/PUR

## Mechanical data

Acceleration max., drag chain	5 m/s <sup>2</sup>
Tightening torque pigtail	0.6 Nm/0.6 Nm
Traverse speed max., drag chain	200 m/min

## Output/Interface

Switching output	PNP Normally open (NO)
------------------	------------------------

## Remarks

Enclosure rating per IEC 60529, only in screwed state with the associated mating piece.  
Cable construction acc. to UL-AWM Style 2517  
Silicone-free  
Flame-retarding acc. to IEC 60332-2

BCC M425-M413-3A-602-VX8334-050  
BCC039F

## Connector view



## Wiring Diagram

