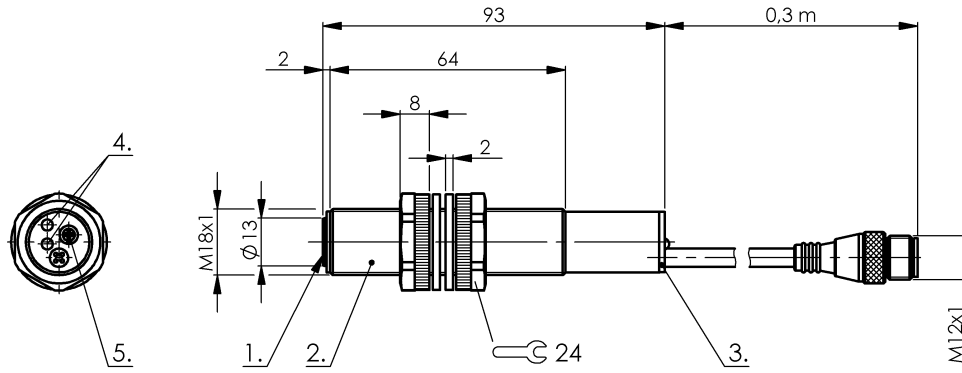


## BUS M18K0-PSXEP-060-EP00,3-GS92 BUS000R



1) Sensing surface 2) Housing 3) Cover 4) Function indicator yellow 5) Teach-In potentiometer



### Display/Operation

Setting	Potentiometer
Switching function display	LED yellow

### Electrical connection

Cable diameter D	5.00 mm
Cable length	0.3 m
Conductor cross-section	0.34 mm <sup>2</sup>
Connection	M12x1, 5-pole
Connection type	Cable with connector, 0.30 m, PUR
Number of conductors	5
Polarity reversal protected	yes
Short-circuit protection	yes

### Electrical data

Current draw max.	35 mA
Hysteresis H max.	2 %
Operating voltage U <sub>b</sub>	18...30 VDC
Output current max.	500 mA
Output signal adjustable	yes
Rated operating voltage U <sub>e</sub> DC	24 V
Switching frequency	25 Hz
Synchronization	Pin 2
Ultrasonic frequency	300 kHz

### Environmental conditions

Ambient temperature	-15...70 °C
---------------------	-------------

Protection class	II
Protection type IEC 60529	IP67
Storage temperature	-30...75 °C

### General data

Approval/Conformity	cULus, DC, Code 2CD7 CE
---------------------	----------------------------

### Material

Cover material	PA
Housing material	PBT
Material cover	PA
Material jacket	PUR
Material sensing surface	Epoxy hollow glass spheres

### Mechanical data

Weight	35.00 g
--------	---------

### Output/Interface

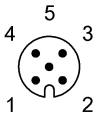
Switching output	PNP Normally open (NO)
------------------	------------------------

### Range/Distance

Measuring range	100...600 mm
Opening angle, sound cone	8 °
Range	100...600 mm
Repeat accuracy	0.2 % FS
Resolution	≤ 0.200 mm

BUS M18K0-PSXEP-060-EP00,3-GS92  
BUS000R

## Connector view



PIN 1: +24V PIN 2: Hold/Sync PIN 3: 0V PIN 4:  
Switching output PIN 5: n.c.