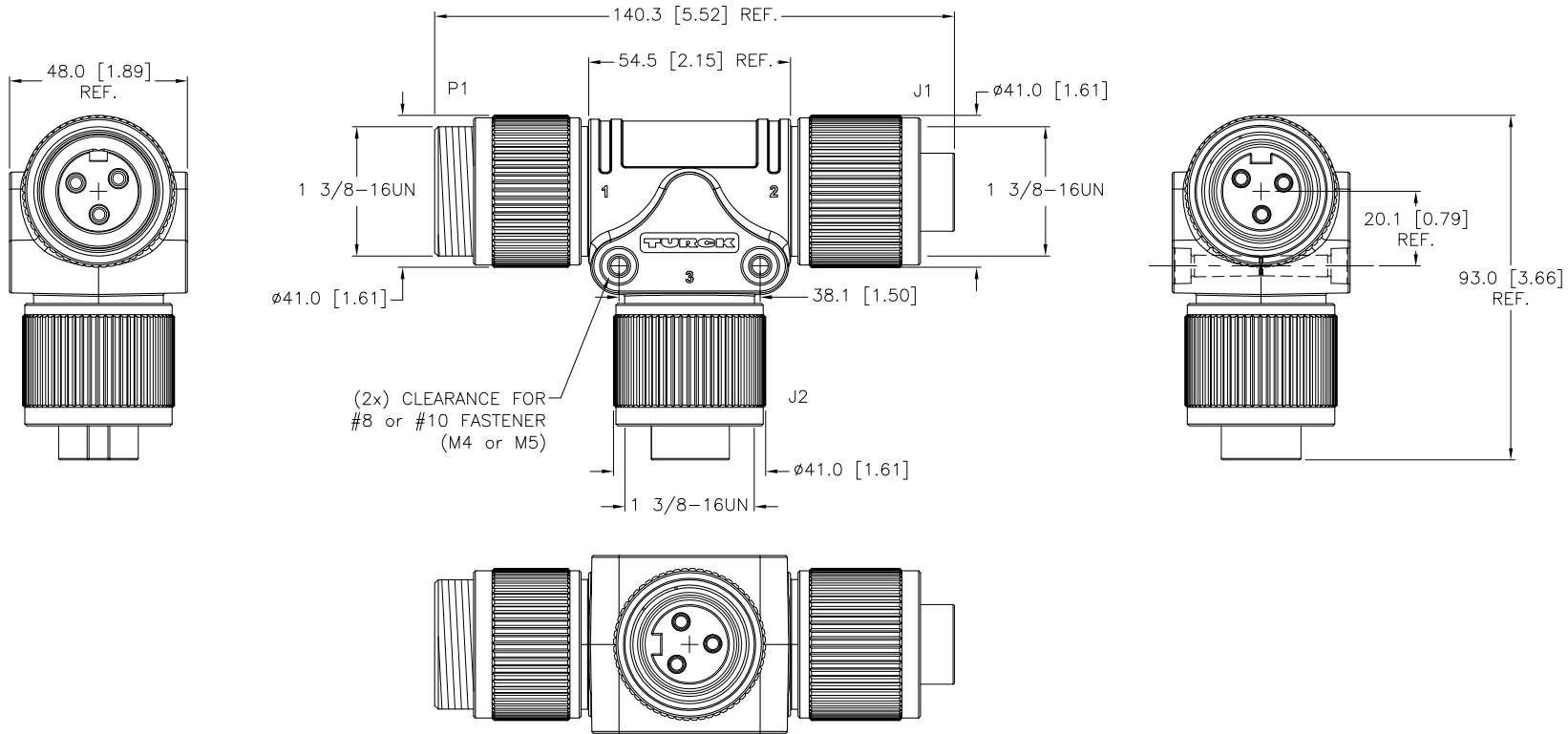


SPECIFICATIONS	
CONTACT CARRIER MATERIAL/COLOR	PVC/BLACK
MOLDED MATERIAL/COLOR	PVC/BLACK
CONTACT MATERIAL/PLATING	BRASS or COPPER/GOLD
COUPLING NUT MATERIAL/PLATING	BRASS/NICKEL
RATED CURRENT [A]	30 A
RATED VOLTAGE [V]	600 V
TEMPERATURE RATING	-40°C to +90°C (-40°F to +194°F)
PROTECTION CLASS	MEETS NEMA 1,3,4,6P AND IEC IP67, IP68, IP69K



SOURCE DRAWING - FOR REFERENCE ONLY

CAUTION:
 RISK OF ELECTRICAL SHOCK
 DO NOT DISCONNECT UNDER LOAD

RELATED DOCUMENTS 1. 2. 3. 4.	3RD ANGLE PROJECTION 	THIS DRAWING IS PROPERTY OF TURCK INC. USE OF THIS DOCUMENT WITHOUT WRITTEN PERMISSION IS PROHIBITED.		3000 CAMPUS DRIVE MINNEAPOLIS, MN 55441 1-800-544-7769 (763) 553-7300 (763) 553-0708 fax turck.com	
	MATERIAL SEE SPECIFICATIONS	ALL DIMENSIONS DISPLAYED ON THIS DRAWING ARE FOR REFERENCE ONLY	DRFT RDS DSGN	DATE 11/07/08 SCALE 1=2.0	DESCRIPTION GSDM/2GKDM 30
FINISH SEE SPECIFICATIONS	CONTACT TURCK FOR MORE INFORMATION	UNIT OF MEASUREMENT MILLIMETER [INCH]		IDENTIFICATION NO. U2-14749	REV C
C UPDATE FEMALE END VIEW ON DRAWING TR 10/26/09 28588		BY DATE ECO NO.		DO NOT SCALE THIS DRAWING FILE: U2-14749 SHEET 1 OF 1	