

# MP 50 K3

## Direct current electronic driver

Direct current electronic drivers multivoltage-multicurrent for power LED and LED modules with DIP-SWITCH

constant  
**CURRENT** constant  
**VOLTAGE**



### Rated Voltage

110 ÷ 127 V <sup>(2)</sup>  
220 ÷ 240 V

### Frequency

50...60 Hz

### AC Operation range

99 ÷ 264 V

### DC Operation range

DC 170 ÷ 280 V

### Power

0 ÷ 50 W

### Max. ripple output current

≤ 3% <sup>(1)</sup>

Article	P out W	V out DC	I out DC	n° LED max. <sup>(1)</sup>	ta °C	tc °C	λ max. Power Factor	η max. Efficiency <sup>(1)</sup>
796-1895	<b>Constant current output</b>					85	0,95	>89
	25 (25 <sup>(2)</sup> )	74 V max.	350mA cost	20	-25...50			
	35 (35 <sup>(2)</sup> )	72 V max.	500mA cost.	20	-25...50			
	39 (39 <sup>(2)</sup> )	72 V max.	550mA cost.	20	-25...50			
	46 (40 <sup>(2)</sup> )	72 V max.	650mA cost.	18/20	-25...50			
	50 (40 <sup>(2)</sup> )	71 V max.	700mA cost.	18	-25...50			
	50 (40 <sup>(2)</sup> )	66 V max.	750mA cost.	16/18	-25...50			
	50 (40 <sup>(2)</sup> )	58 V max.	850mA cost.	16/18	-25...45			
	50 (40 <sup>(2)</sup> )	55 V max.	900mA cost.	16	-25...45			
	50 (40 <sup>(2)</sup> )	48 V max.	1,05A cost.	14	-25...45			
	<b>Constant voltage output</b>							
	50 (40 <sup>(2)</sup> )	48 cost.	1A max.	-	-25...45			

<sup>(1)</sup> Referred to V<sub>n</sub> = 230 V, 100% load

## Reference Norms

### Norme di riferimento:

CSA C22.2 No.107.1<sup>(2)</sup>  
CSA C22.2 250-13<sup>(2)</sup>  
EN 50172 (VDE 0108)  
EN 55015  
EN 61000-3-2  
EN 61000-3-3  
EN 61347-1  
EN 61347-2-13  
EN 61547  
EN 62384  
UL 1012<sup>(2)</sup>  
UL 8750<sup>(2)</sup>

## Lamps

### Lampade:

Power LED  
LED modules

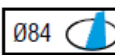
## Features

- Multi-power driver supplied with dip-switch for the selection of the output current.
- IP20 independent driver, for indoor use (MP 50 K3).
- Class II protection against electric shock following direct or indirect contact (MP 50 K3).
- Driver for built-in use (MP 50 BI).
- It can be used for lighting equipment in protection class I and II (MP 50 BI).
- Active Power Factor Corrector.
- Current regulation  $\pm 5\%$  including temperature variations.
- Input and output terminal blocks on the same side (terminal area 2,5 mm<sup>2</sup>).
- Clamping screws on primary and secondary circuits for cables with diameter: min. 3 mm - max. 8 mm (MP 50 K3).
- Driver can be secured with slot for screws.
- Protections:
  - against overheating and short circuits;
  - against mains voltage spikes;
  - against overloads.
- Thermal protection = C.5.a.
- Can be switched on and off on secondary circuit for power LED (for additional details page 208).
- Auxiliary output 12 V max. 100 mA.

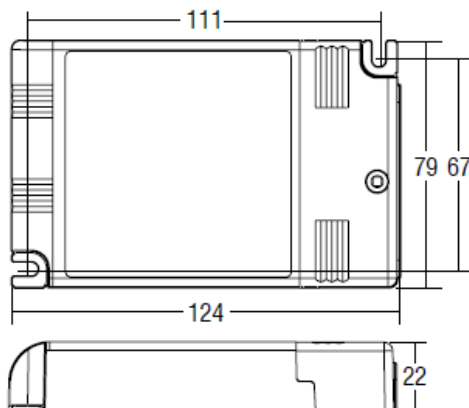
## Direct current electronic drivers multivoltage-multicurrent for power LED and LED modules with DIP-SWITCH



**IP 20**



Weight - Peso gr. 150  
Pcs - Pezzi 50



## Wiring diagram Max. LED distance at page 201

