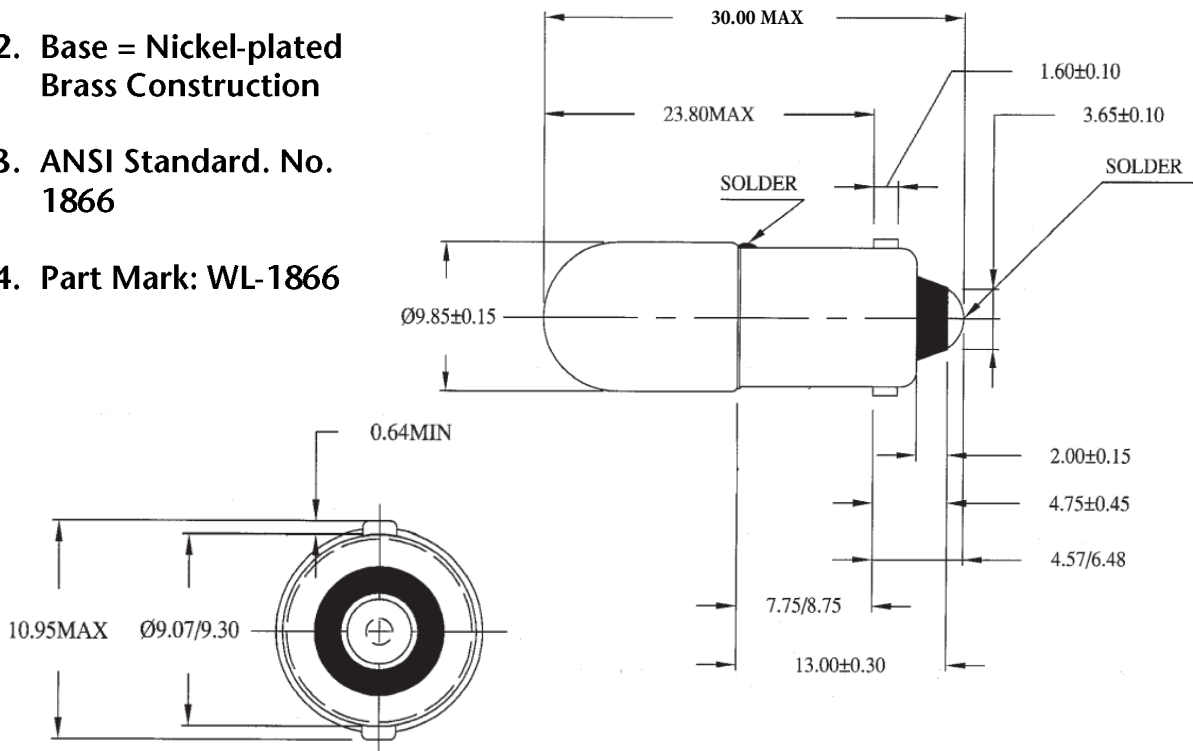


Wamco Part No.	Envelope Size	Base Type	Rating	Filament Shape
WL-1866	T-3¼	BA9s	6.3V .25A	C-2R

Test Volts	Current (A)			Light Output (MSCP)			Life Hours
	Min.	Nom.	Max.	Min.	Nom.	Max	
6.3	.225	.250	.275	.487	.650	.813	5,000 Hrs.

Dimensional Characteristics:

1. L.C.L = .78" (19.8mm)
2. Base = Nickel-plated Brass Construction
3. ANSI Standard. No. 1866
4. Part Mark: WL-1866



RoHS Compliant

			Title:	
			T-3¼ Miniature Bayonet Base Lamp	
			6.3V .25A Vacuum	
Drawn	01/24/12	SL	Notes: Unless otherwise specified, all dimensions are in mm.	Rev:
Checked	01/24/12	EB		1
Approved	01/24/12	EB		