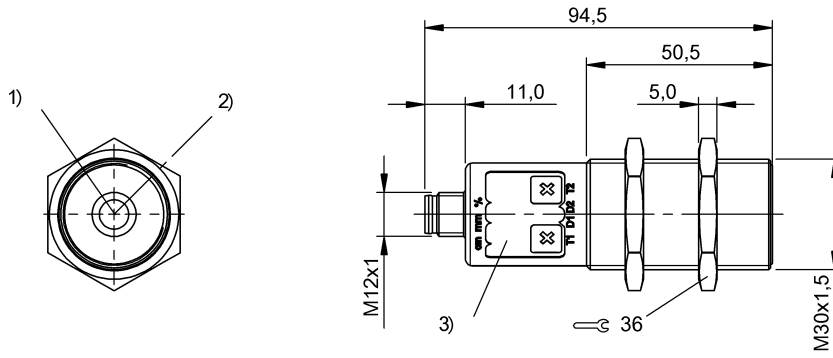


BUS M30M1-PWX-03/025-S92K BUS002R



1) Ultrasonic transducer axis 2) Exit direction 90° connector 3) Display and control panel



Display/Operation

Adjuster	Key (2x)
Setting	Multiplex speed
	Synchronization on/off
	Synchronous/Multiplex mode
	Segment displ. bright/dark/off
	Filter strength (10 levels)
	Response delay 0 to 20 s
	Foreground suppression range
	Multiplex sensor address
	Sensor calibration
	Temperature comp. on/off
	Measured value filter
	Hysteresis
	Detection range (3 levels)
	Teach-in mode display/button
	Factory setting (Reset)
	Key disable on/off
	Operating mode
	Switching distance, 2 values
	Normally open/Normally closed

Electrical connection

Connection	M12x1-Connector
Polarity reversal protected	yes
Short-circuit protection	yes

Electrical data

Current draw max.	80 mA
Hysteresis H max.	3 mm
MTTF (40 °C)	178 a
Operating voltage Ub	9...30 VDC
Output current max.	200 mA
Rated operating voltage Ue DC	24 V
Switching frequency	11 Hz
Synchronization	internal, max. 10 sensors
Ultrasonic frequency	320 kHz

Internet www.balluff.com
 Balluff Germany +49 (0) 7158 173-0, 173-370
 Balluff USA 1-800-543-8390
 Balluff China +86 (0) 21-50 644131

Environmental conditions

Ambient temperature	-25...70 °C
Protection type IEC 60529	IP67
Storage temperature	-40...85 °C

Functional safety

Diagnostic coverage	0 %
Functional safety	no
Mission Time	10 a

General data

Application	Object detection
Approval/Conformity	CE
Operating mode	Refl.light scanner (switch.pnt.) Refl.light scanner (window) Retro-reflector

Material

Housing material	Brass PBTTTPU
Material sensing surface	PU foamEpoxy resinGlass
Surface protection	nickel plates

Output/Interface

Input function	Synchronization signal
Switching output	2x PNP Normally open/Normally closed (NO/NC)

For definitions of terms, see main catalog
 Subject to change without notice

eCl@ss 9.1: 27-27-08-04
 ETIM 6.0: EC001846
 BUS002R_09-03-17_19-18

BUS M30M1-PWX-03/025-S92K BUS002R

Range/Distance

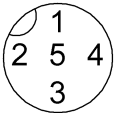
Measuring range	30...350 mm
Range	30...350 mm
Rated operating distance S_n	250 mm

Repeat accuracy	$\pm 0.15\%$ FS
Resolution	≤ 0.180 mm

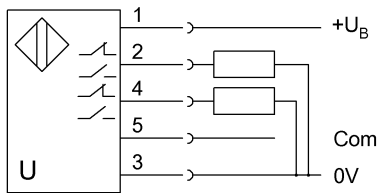
For further information on MTTF/B10d, please refer to the MTTF / B10d Certificate.

Specification of the MTTF value and the B10d value do not represent any binding quality and/or life expectancy guarantees.

Connector view



Wiring Diagram



Additional View

