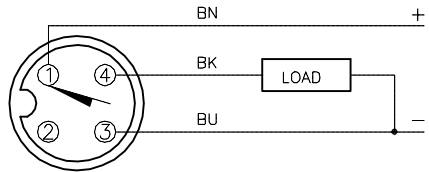


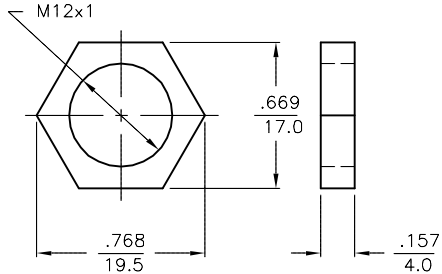
WIRING DIAGRAM



OUTPUT: AP6X

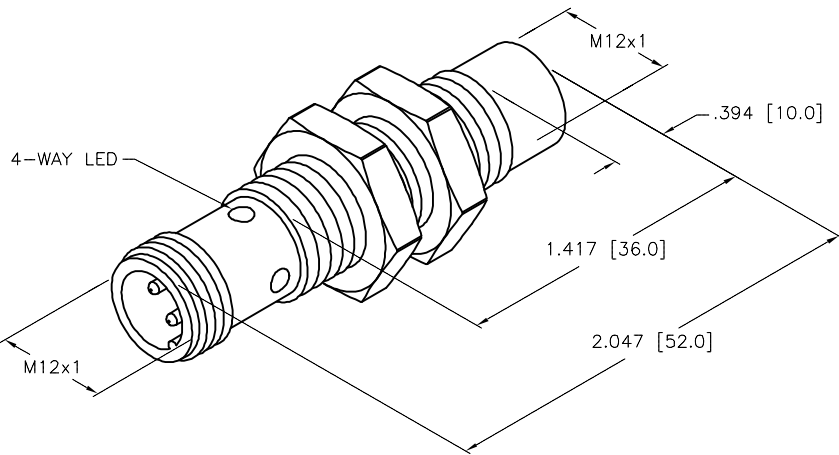
SHORT-CIRCUIT AND OVERLOAD PROTECTED

LOCKNUT LN-M12



SPECIFICATIONS

| | |
|-----------------------------|----------------------------------|
| RATED OPERATING DISTANCE | 5mm = .197" (NOMINAL) |
| MOUNTING MODE | NON-FLUSH |
| TEMPERATURE DRIFT | ≤ ±10% |
| HYSTERESIS | 3-15% |
| MIN. REPEAT ACCURACY | ≤ 2% |
| OPERATING TEMPERATURE | -25°C to +70°C (-13°F to +158°F) |
| RATED OPERATIONAL VOLTAGE | 10-30 VDC |
| MAX. RIPPLE | ≤ 10% |
| RATED OPERATIONAL CURRENT | ≤ 200 mA |
| NO-LOAD CURRENT | ≤ 15 mA |
| MAX. OFF-STATE CURRENT | ≤ 0.1 mA |
| RATED INSULATION VOLTAGE | ≤ 0.5 kV |
| SHORT-CIRCUIT PROTECTION | YES |
| MAX. VOLTAGE DROP | ≤ 1.8 V |
| WIRE BREAKAGE PROTECTION | INCORPORATED |
| REVERSE POLARITY PROTECTION | INCORPORATED |
| OUTPUT FUNCTION | 3-WIRE, NORMALLY OPEN, PNP |
| MAX. SWITCHING FREQUENCY | ≤ 2 kHz |
| HOUSING MATERIAL | BRASS, CHROME PLATED |
| ACTIVE FACE | PLASTIC, PA |
| CONNECTION | M12x1 |
| VIBRATION RESISTANCE | 55 Hz (IN ALL 3 PLANES) |
| SHOCK RESISTANCE | 30 g, 11 ms |
| DEGREE OF PROTECTION | IP 67 |
| SWITCHING STATUS INDICATION | LED, YELLOW |



SOURCE DRAWING - FOR REFERENCE ONLY

| | | | | |
|---|---------------------------------|--|---|------------------------------------|
| RELATED DOCUMENTS 1. 2. 3. 4. | 3RD ANGLE PROJECTION | THIS DRAWING IS CONFIDENTIAL AND THE PROPERTY OF TURCK INC. USE OF THIS DOCUMENT WITHOUT WRITTEN PERMISSION IS PROHIBITED. | 3000 CAMPUS DRIVE MINNEAPOLIS, MN 55441 1-800-544-7769 (763) 553-7300 (763) 553-0708 fax turck.com | |
| | MATERIAL | ALL DIMENSIONS DISPLAYED ON THIS DRAWING ARE FOR REFERENCE ONLY | DRFT CBM DATE 09/26/99 | DESCRIPTION NI 5-M12-AP6X-H1141 |
| | | | APVD SCALE NONE | |
| | FINISH | CONTACT TURCK FOR MORE INFORMATION | UNIT OF MEASUREMENT INCH [MILLIMETER] | |
| B UPDATE FORMAT NF 08/19/15 51210 | REV DESCRIPTION BY DATE ECO NO. | DO NOT SCALE THIS DRAWING | | FILE: T4653400 SHEET 1 OF 1 |

| | | | | |
|-----|---------------|----|----------|---------|
| B | UPDATE FORMAT | NF | 08/19/15 | 51210 |
| REV | DESCRIPTION | BY | DATE | ECO NO. |

B