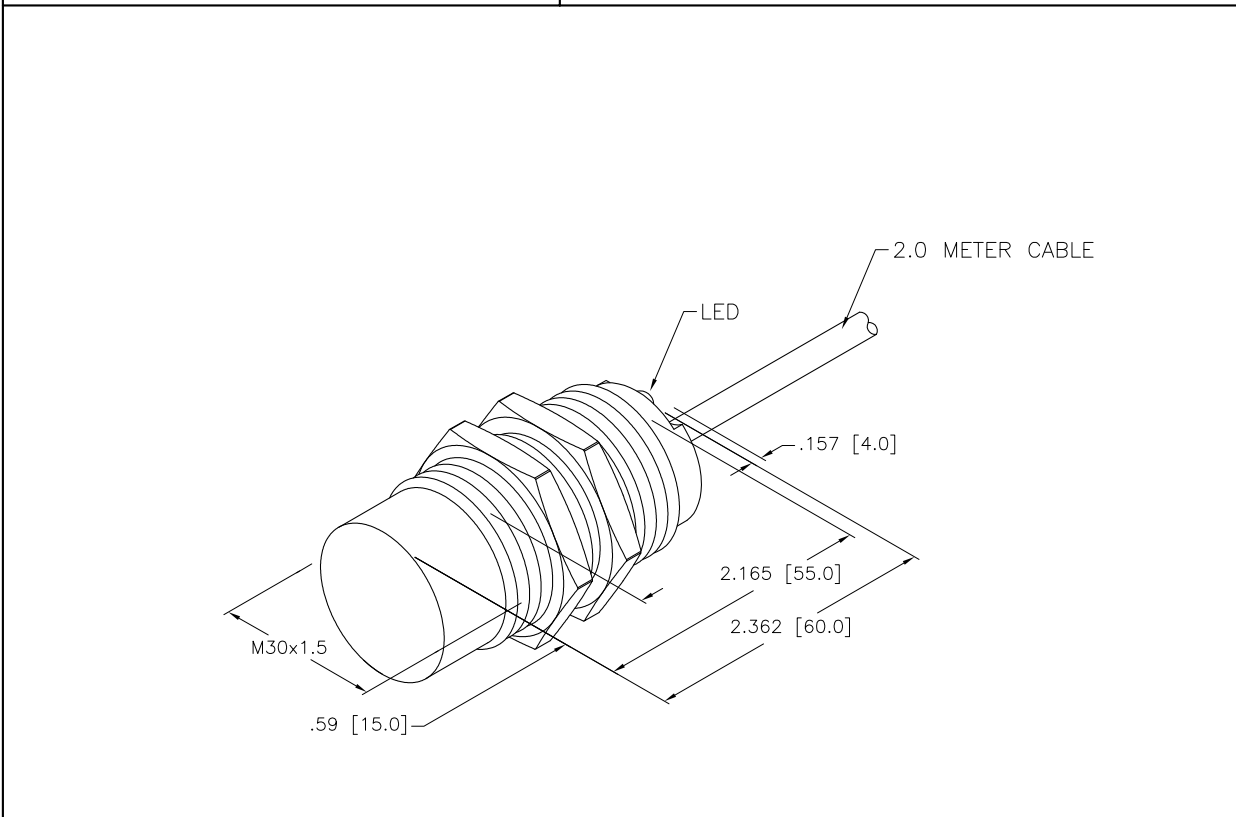


SPECIFICATIONS	
RATED OPERATING DISTANCE	15 mm = .591"
MOUNTING MODE	NON-FLUSH
HYSTERESIS	1-15%
MIN. REPEAT ACCURACY	≤ 2%
TEMPERATURE DRIFT	≤ ± 10%
OPERATING TEMPERATURE	-25°C to +70°C (-13°F to +158°F)
RATED OPERATIONAL VOLTAGE	10-65 VDC
RESIDUAL RIPPLE	≤ ± 10%
DC RATED OPERATIONAL CURRENT	≤ 100 mA
RESIDUAL CURRENT	≤ 0.6 mA
RATED INSULATION VOLTAGE	≤ 0.5 kV
SHORT-CIRCUIT PROTECTED	YES
MAX. VOLTAGE DROP	≤ 5.0 V
REVERSE POLARITY PROTECTION	INCORPORATED
WIRE-BREAK PROTECTION	INCORPORATED
OUTPUT FUNCTION	2-WIRE, NORMALLY OPEN, 2-WIRE
SMALLEST OPERATING CURRENT	≥ 3.0 mA
MAX. SWITCHING FREQUENCY	≤ 0.2 kHz
HOUSING MATERIAL	METAL, BRASS, CHROME-PLATED
ACTIVE FACE	PLASTIC, PA12-GF30
END CAP MATERIAL	PLASTIC, EPTR
CABLE	ø5.2, LifYY, PVC
SHOCK RESISTANCE	30 g, 11 ms
VIBRATION RESISTANCE	55 Hz, 1 mm AMPLITUDE (IN ALL 3 PLANES)
DEGREE OF PROTECTION	IP67
SWITCHING STATUS INDICATION	LED, YELLOW



SOURCE DRAWING - FOR REFERENCE ONLY

RELATED DOCUMENTS		3RD ANGLE PROJECTION		THIS DOCUMENT IS PROPERTY OF TURCK INC. USE OF THIS DOCUMENT WITHOUT WRITTEN PERMISSION IS PROHIBITED.		 3000 CAMPUS DRIVE MINNEAPOLIS, MN 55441 1-800-544-7769 (763) 553-7300 (763) 553-0708 fax turck.com	
1.			ALL DIMENSIONS DISPLAYED ON THIS DRAWING ARE FOR REFERENCE ONLY	DRFT	IK	DATE	03/07/00
2.				DSGN	BT	SCALE	1=1.3
3.		CONTACT TURCK FOR MORE INFORMATION		UNIT OF MEASUREMENT		DESCRIPTION	
4.				INCH [MILLIMETER]		Ni15-M30-AD4X	
MATERIAL				IDENTIFICATION NO.		REV	
FINISH				T4417200		A	
DO NOT SCALE THIS DRAWING		FILE: T4417200		SHEET 1 OF 1			

A	DRAWING RELEASE	IK	08/07/00	
REV	DESCRIPTION	BY	DATE	ECO NO.