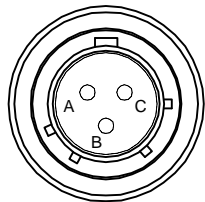


FEMALE END VIEW

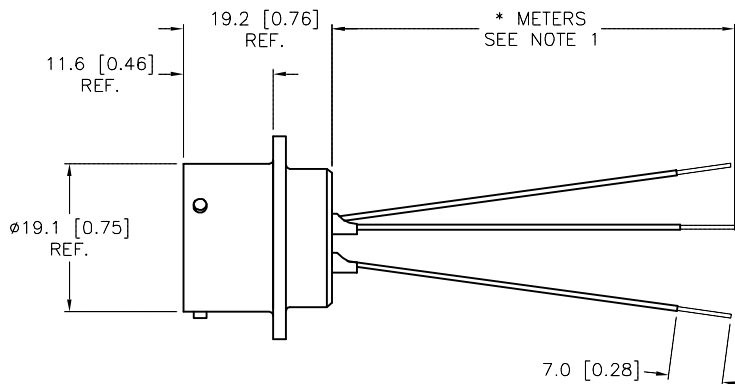
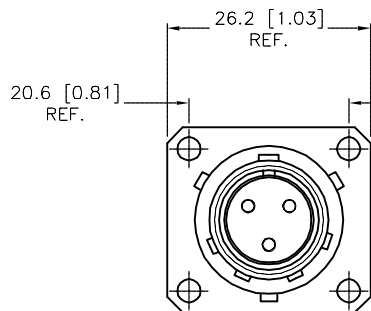


A = BROWN
B = BLUE
C = GRN/YEL

CONNECTOR
TYPE/STYLE - MS 3112 E
SHELL SIZE - 12
INSERT ARRANGEMENT - 3S

SPECIFICATIONS

CONTACT CARRIER MATERIAL	NEOPRENE
CONTACT MATERIAL/PLATING	COPPER ALLOY/SILVER
HOUSING MATERIAL/PLATING	ALUMINUM ALLOY/OLIVE DRAB CHROMATE
RATED CURRENT [A]	10.0 A
RATED VOLTAGE [V]	300 V
CONDUCTOR INSULATION MATERIAL	PVC
NUMBER OF CONDUCTORS	3x18 AWG
TEMPERATURE RATING	-40°C to +105°C (-40°F to +221°F)
CONNECTOR TYPE	MIL-C-26482, SERIES 1



CABLE LENGTH	TOLERANCE*
ALL LENGTHS	+ 4% (OR 50mm) OF LENGTH - 0% (OR 0mm) OF LENGTH WHICHEVER IS GREATER
STRIP LENGTH	TOLERANCE*
0-7mm	±0.5mm
8-29mm	±1.0mm
30-49mm	±2.0mm
50-69mm	±3.0mm
70-100mm	±4.0mm
OVER 100mm	±5.0mm

* UNLESS OTHERWISE SPECIFIED

NOTES:

1. "*" INDICATES LEAD LENGTH IN METERS. CONTACT TURCK TO ORDER SPECIFIC LENGTH.

SOURCE DRAWING - FOR REFERENCE ONLY

RELATED DOCUMENTS 1. 2. 3. 4.	3RD ANGLE PROJECTION 	THIS DRAWING IS CONFIDENTIAL AND THE PROPERTY OF TURCK INC. USE OF THIS DOCUMENT WITHOUT WRITTEN PERMISSION IS PROHIBITED.		3000 CAMPUS DRIVE MINNEAPOLIS, MN 55441 1-800-544-7769 (763) 553-7300 (763) 553-0708 fax turck.com	
		DRFT RDS APVD J.S.	DATE 03/11/13 SCALE 1=1.0	DESCRIPTION MS 3112E-12-3S-*	
MATERIAL SEE SPECIFICATIONS	ALL DIMENSIONS DISPLAYED ON THIS DRAWING ARE FOR REFERENCE ONLY	UNIT OF MEASUREMENT MILLIMETER [INCH]		DO NOT SCALE THIS DRAWING	
FINISH SEE SPECIFICATIONS		CONTACT TURCK FOR MORE INFORMATION		FILE: 777031417	SHEET 1 OF 1

A	DRAWING RELEASE	RDS	04/09/13	
REV	DESCRIPTION	BY	DATE	ECO NO.