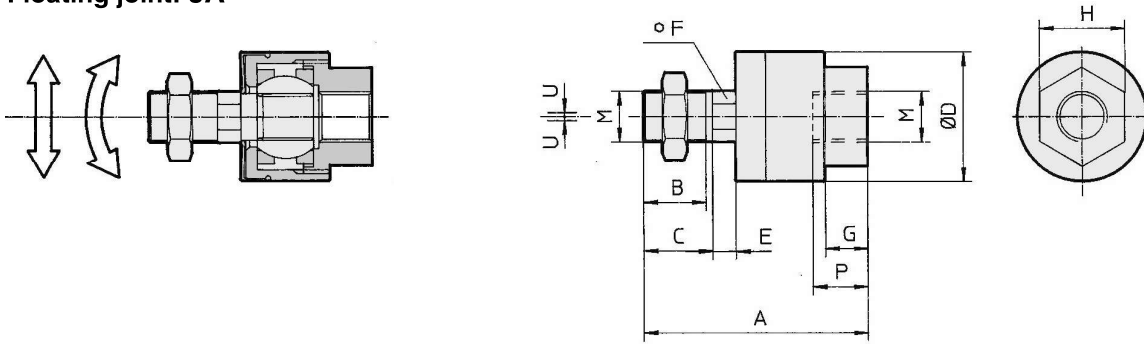


**Dimensions: Piston Rod Accessories**

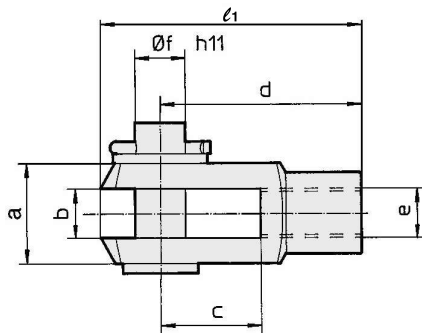
**Floating joint: JA**



Bore size [mm]	Part no.	M	A	B	C	øD	E	F	G	H	P	U	Load [kN]	Weight [g]	Angle
32	JA30-10-125	M10 x 1.25	49.5	19.5	—	24	5	8	8	17	9	0.5	2.5	70	±0.5°
40	JA40-12-125	M12 x 1.25	60	20	—	31	6	11	11	22	13	0.75	4.4	160	
50, 63	JA50-16-150	M16 x 1.5	71.5	22	—	41	7.5	14	13.5	27	15	1	11	300	
80, 100	JAH50-20-150	M20 x 1.5	101	28	31	59.5	11.5	24	16	32	18	2	18	1080	

\* Black color

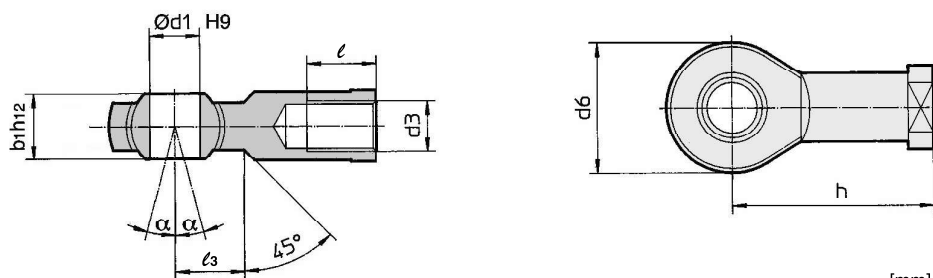
**Rod clevis: GKM (ISO 8140)**



Bore size [mm]	Part no.	e	b	d	øf h11 (Shaft)	øf H9 (Hole)	l <sub>1</sub>	c (Min.)	a (Max.)
32	GKM10-20	M10 x 1.25	10 <sup>+0.5</sup> <sub>+0.15</sub>	40	10	10	52	20	20
40	GKM12-24	M12 x 1.25	12 <sup>+0.5</sup> <sub>+0.15</sub>	48	12	12	62	24	24
50, 63	GKM16-32	M16 x 1.5	16 <sup>+0.5</sup> <sub>+0.15</sub>	64	16	16	83	32	32
80, 100	GKM20-40	M20 x 1.5	20 <sup>+0.5</sup> <sub>+0.15</sub>	80	20	20	105	40	40

\* Supplied with clevis pin and clevis pin bracket.

**Rod end: KJ (ISO 8139)**



Bore size [mm]	Part no.	d <sub>3</sub>	ød <sub>1</sub> H9	h	d <sub>6</sub> (Max.)	b <sub>1</sub> h <sub>12</sub>	l (Min.)	α	l <sub>3</sub>
32	KJ10D	M10 x 1.25	10	43	28	14	20	4°	15
40	KJ12D	M12 x 1.25	12	50	32	16	22	4°	17
50, 63	KJ16D	M16 x 1.5	16	64	42	21	28	4°	23
80, 100	KJ20D	M20 x 1.5	20	77	50	25	33	4°	27

- C85
- C85W
- C85-ST
- C85K
- C85K-ST
- C85R
- C75
- C75W
- C75-ST
- C75K
- C75K-ST
- C75R
- C75K-ST
- CP96
- CP96K
- CP96K
- C96Y
- C55
- Auto Switch
- Made to Order
- Related Products