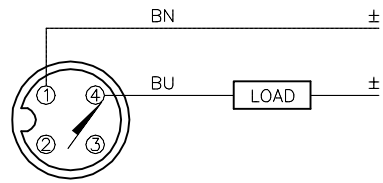


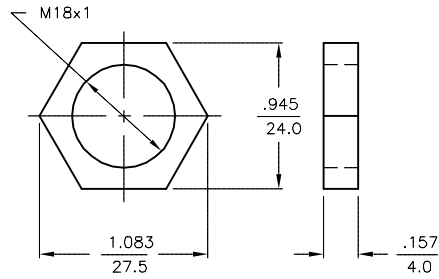
WIRING DIAGRAM



OUTPUT: AD4X

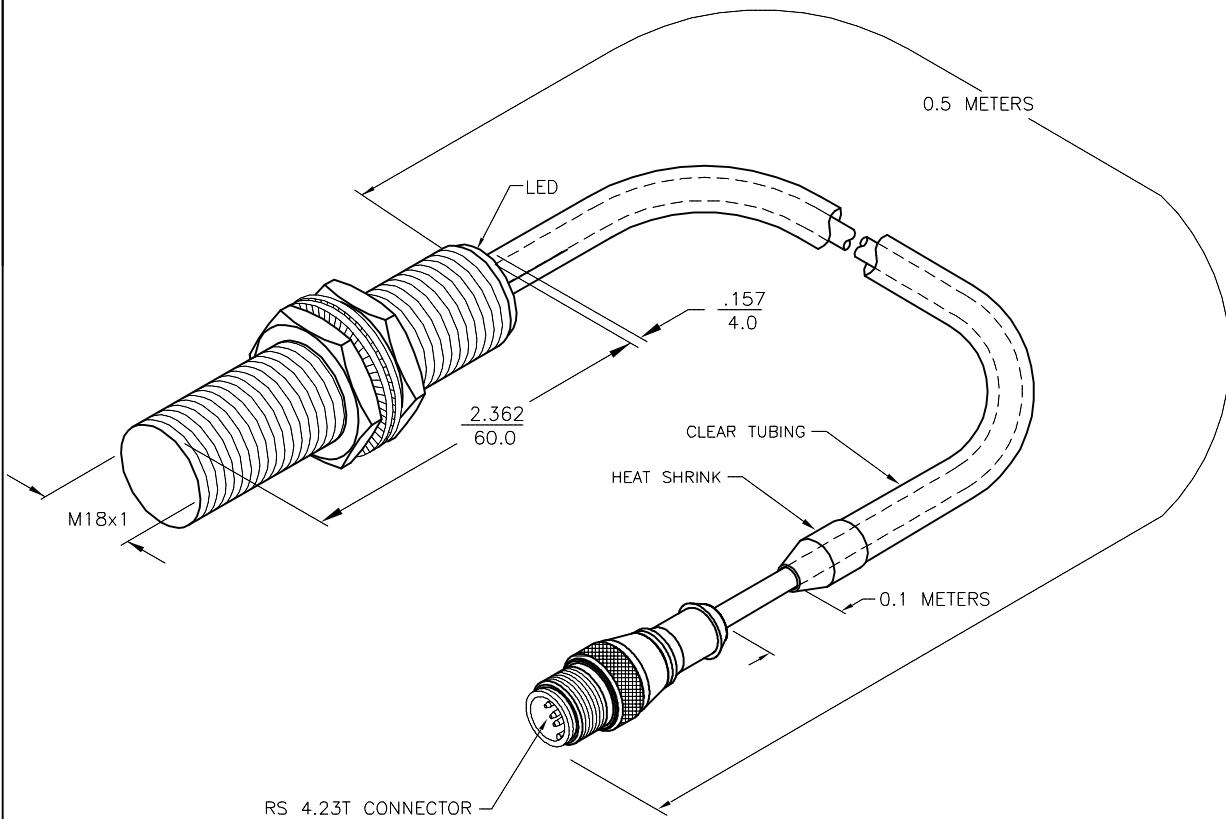
SHORT-CIRCUIT AND OVERLOAD PROTECTED

LOCKNUT LN-MT18



SPECIFICATIONS

RATED OPERATING DISTANCE	7 mm = 0.276"
MOUNTING MODE	FLUSH
TEMPERATURE DRIFT	≤ ±10%
HYSTERESIS	1-15%
MIN. REPEAT ACCURACY	≤ 2%
OPERATING TEMPERATURE	-25°C to +70°C (-13°F to +158°F)
RATED OPERATIONAL VOLTAGE	10-65 VDC
RESIDUAL RIPPLE	≤ ±10%
DC RATED OPERATIONAL CURRENT	≤ 100 mA
RESIDUAL CURRENT	≤ 0.6 mA
RATED INSULATION VOLTAGE	≤ 0.5 kV
SHORT-CIRCUIT PROTECTED	YES
MAX. VOLTAGE DROP	≤ 5 V
OUTPUT FUNCTION	2-WIRE, NORMALLY OPEN, 2-WIRE
SMALLEST OPERATING CURRENT	≥ 3.0 mA
MAX. SWITCHING FREQUENCY	≤ 1.0 kHz
HOUSING MATERIAL	BRASS/CHROME (PTFE-COATED)
ACTIVE FACE MATERIAL	STONEFACE
CABLE	ø5.2, PVC
SHOCK	30 g, 11 ms
VIBRATION	55 Hz, 1 mm AMPLITUDE (IN ALL 3 PLANES)
DEGREE OF PROTECTION	IP67
SWITCHING STATUS INDICATION	LED: YELLOW



NOTES:

1. "/S1732" DESIGNATES SENSOR WITH 1/4" (ID) SILICONE TUBING #10192049 (TUBING, SILICONE, 1/4ID X .060WALL) OVERTOP THE ACTUAL CABLE JACKET. FOR CABLES WITH CONNECTOR MOLD-ON A MINIMUM OF 0.5M OVERALL CABLE LENGTH REQUIRED FOR MANUFACTURING PURPOSES. ALSO, TUBING MUST BE A MINIMUM OF 150MM SHORTER THAN CABLE LENGTH. HEAT SHRINK WILL BE USED TO SEAL CABLE AT CONNECTOR END.

SOURCE DRAWING - FOR REFERENCE ONLY

RELATED DOCUMENTS		3RD ANGLE PROJECTION		THIS DRAWING IS CONFIDENTIAL AND THE PROPERTY OF TURCK INC. USE OF THIS DOCUMENT WITHOUT WRITTEN PERMISSION IS PROHIBITED.		 High Technology Sensors and Automation Controls		3000 CAMPUS DRIVE MINNEAPOLIS, MN 55441 1-800-544-7769 (763) 553-7300 (763) 553-0708 fax turck.com	
1. 2. 3. 4.				DRFT RDS		DATE 03/20/12		DESCRIPTION	
MATERIAL		ALL DIMENSIONS DISPLAYED ON THIS DRAWING ARE FOR REFERENCE ONLY		APVD J.M.		SCALE 1=1.3		BI 7-GT18H-AD4X-0.5M-RS 4.23T/S1732	
FINISH		CONTACT TURCK FOR MORE INFORMATION		UNIT OF MEASUREMENT		IDENTIFICATION NO.		REV	
SEE SPECS				INCH [ MILLIMETER ]		T44145921		C	
SEE SPECS				DO NOT SCALE THIS DRAWING		FILE: T44145921		SHEET 1 OF 1	
C	UPDATE BARREL PER ECO	KMY	11/19/13	44097					
REV	DESCRIPTION	BY	DATE	ECO NO.					