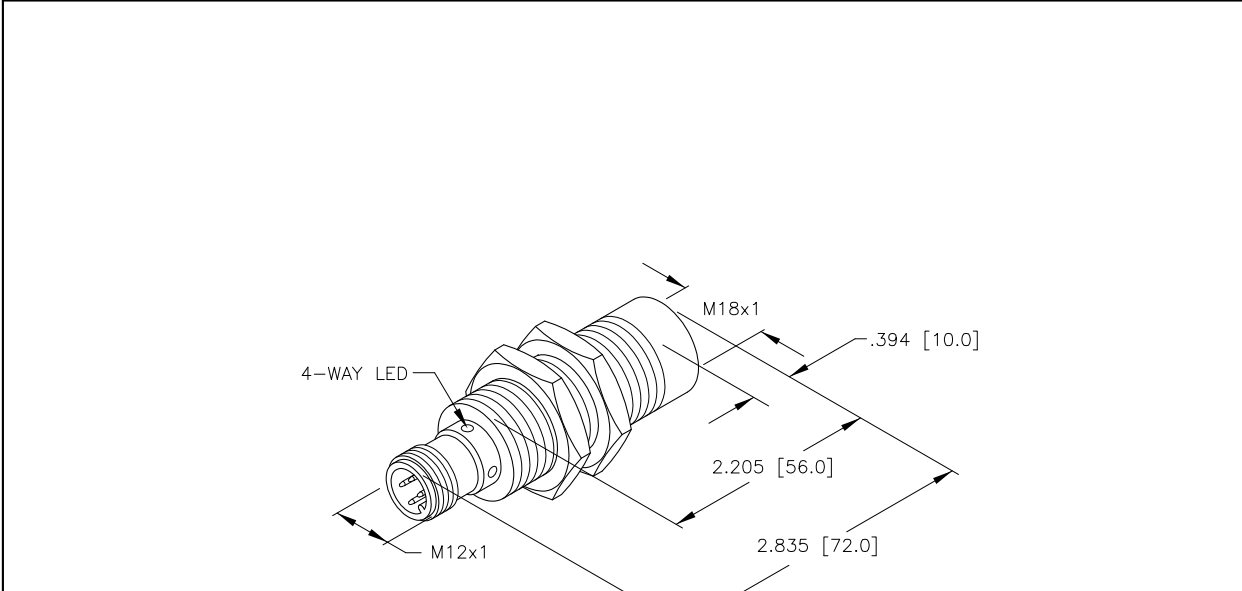


SPECIFICATIONS	
OPERATING VOLTAGE	10-65 VDC
RIPPLE	≤10%
DIFFERENTIAL TRAVEL (HYSTERESIS)	3-15% (5% TYPICAL)
VOLTAGE DROP ACROSS CONDUCTING SENSOR	≤5.0 V at 100 mA
OUTPUT FUNCTION	NORMALLY OPEN 2-WIRE DC SELF-CONTAINED
TTL COMPATIBLE	NO
SHORT-CIRCUIT PROTECTED	YES
TRIGGER CURRENT FOR OVERLOAD PROTECTION	≥120 mA
MAXIMUM LOAD CURRENT	≤100 mA
OFF-STATE (LEAKAGE) CURRENT	<0.8 μA
MINIMUM LOAD CURRENT	≤3.0 mA
TIME DELAY BEFORE AVAILABILITY	≤10 ms
POWER-ON EFFECT PROTECTION	INCORPORATED
REVERSE POLARITY PROTECTION	INCORPORATED
WIRE-BREAK PROTECTION	INCORPORATED
PROTECTION AGAINST TRANSIENTS	2 kV, 1 ms, 1 kΩ
OPERATING TEMPERATURE	-25°C to +70°C (-13°F to +158°F)
ENCLOSURE	MEETS NEMA 1, 3, 4, 6, 13 AND IEC IP67
SHOCK	30 g, 11 ms
VIBRATION	55 Hz, 1 mm AMPLITUDE (IN ALL 3 PLANES)
LED FUNCTION	YELLOW: OUTPUT ENERGIZED
RATED OPERATING DISTANCE(Sn)	8 mm = .315" (NOMINAL)
SWITCHING FREQUENCY	500 Hz
REPEATABILITY	≤2% of RATED OPERATING DISTANCE
EMBEDDABLE (SHIELDED)	NO
MATING PLUGS/CABLES	4-PIN "EUROFAST" CONSTRUCTION



SOURCE DRAWING - FOR REFERENCE ONLY

NOTE: ALL DIMENSIONAL TOLERANCES: ±1.0mm.

RELATED DOCUMENTS 1. 2. 3. 4.	3RD ANGLE PROJECTION 	THIS DRAWING IS PROPERTY OF TURCK INC. USE OF THIS DOCUMENT WITHOUT WRITTEN PERMISSION IS PROHIBITED.		3000 CAMPUS DRIVE MINNEAPOLIS, MN 55441 1-800-544-7769 (763) 553-7300 (763) 553-0708 fax turck.com	
	MATERIAL BRASS BARREL	ALL DIMENSIONS DISPLAYED ON THIS DRAWING ARE FOR REFERENCE ONLY	DRFT IK	DATE 02/15/00	DESCRIPTION Ni 8-M18E-AD4X-H1141
FINISH COPPER/NICKEL/ CHROME PLATING	DSGN		SCALE NONE		
CONTACT TURCK FOR MORE INFORMATION		UNIT OF MEASUREMENT INCH [MILLIMETER]		IDENTIFICATION NO. T4411210	REV A
DO NOT SCALE THIS DRAWING		FILE: T4411210		SHEET 1 OF 1	

A	DRAWING RELEASE	IK	07/13/00	
REV	DESCRIPTION	BY	DATE	ECO NO.