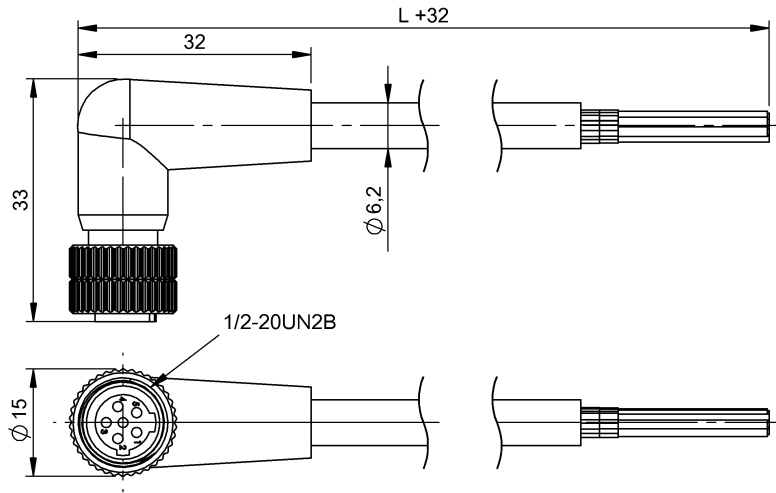


BCC A226-0000-10-126-VS46T2-100  
BCC0FY2



## Electrical connection

Bending radius min., fixed cable	5 x D
Bending radius min., flexible cable	10 x D
Cable	PVC Shielded yellow, 10.00 m
Cable diameter D	6.20 mm ±0.13 mm
Conductor cross-section	AWG 22
Number of conductors	6
Number of pins	6
System	Molded

## Electrical data

Rated current (40 °C)	4.0 A
-----------------------	-------

## Environmental conditions

Ambient temperature	-40...105 °C
Protection type IEC 60529	IP67

## General data

Approval/Conformity	cULus LISTED
---------------------	--------------

## Material

Material contact carrier	PUR
Material contacts	Brass
Material cover nut	Brassnickel plates
Material grip	PVC

## Connector view



PIN 1: red/white PIN 2: red PIN 3: green/yellow PIN  
4: red/yellow PIN 5: red/black PIN 6: red/blue

BCC A226-0000-10-126-VS46T2-100  
BCC0FY2

## Wiring Diagram

