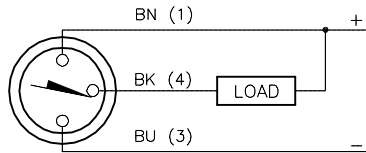


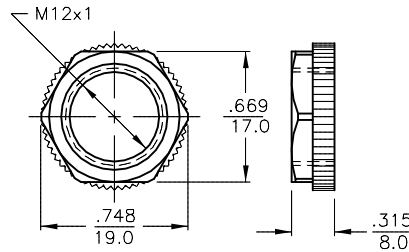
WIRING DIAGRAM



OUTPUT: AN6X

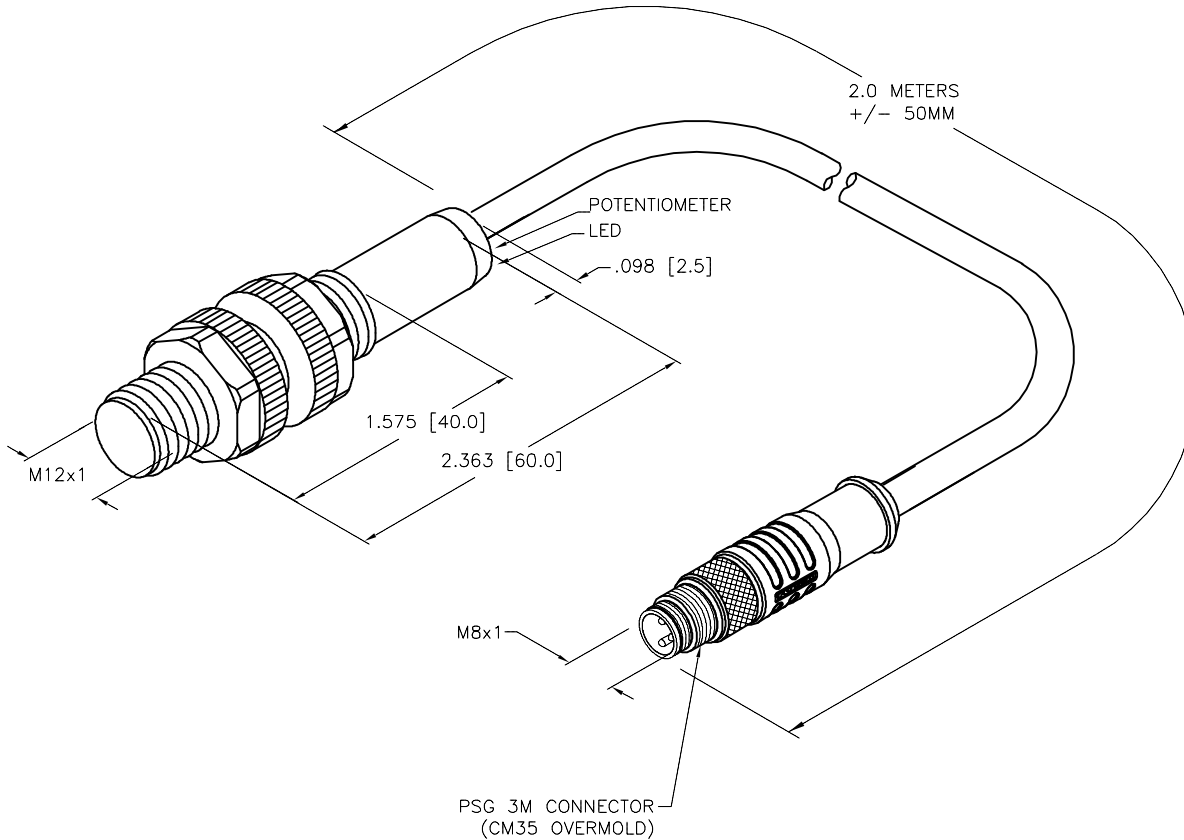
SHORT-CIRCUIT AND OVERLOAD PROTECTED

LOCKNUT LN-P12



SPECIFICATIONS

RATED OPERATING DISTANCE	3mm [.118]
MOUNTING MODE	FLUSH or NON-FLUSH
TEMPERATURE DRIFT	≤±20%
HYSTERESIS	2-20%
MIN. REPEAT ACCURACY	≤2%
OPERATING TEMPERATURE	-25°C to +70°C (-13°F to +158°F)
RATED OPERATIONAL VOLTAGE	10-30 VDC
RESIDUAL RIPPLE	≤10%
DC RATED OPERATIONAL CURRENT	≤200 mA
NO-LOAD CURRENT	≤15 mA
RESIDUAL CURRENT	≤0.1 mA
MAX. SWITCHING FREQUENCY	≤0.1 kHz
RATED INSULATION VOLTAGE	≤0.5 kV
OUTPUT FUNCTION	3-WIRE, NORMALLY OPEN, NPN
SHORT-CIRCUIT PROTECTION	YES
MAX. VOLTAGE DROP	≤1.8 V
WIRE BREAKAGE PROTECTION	INCORPORATED
REVERSE POLARITY PROTECTION	INCORPORATED
HOUSING MATERIAL	PA12-GF30
ACTIVE FACE	PA12-GF30
CABLE	ø5.2, PVC
VIBRATION RESISTANCE	55 Hz (IN ALL 3 PLANES)
SHOCK RESISTANCE	30 g, 11 ms
DEGREE OF PROTECTION	IP 67
SWITCHING STATUS INDICATION	LED, YELLOW



SOURCE DRAWING - FOR REFERENCE ONLY

RELATED DOCUMENTS		3RD ANGLE PROJECTION		THIS DRAWING IS CONFIDENTIAL AND THE PROPERTY OF TURCK INC. USE OF THIS DOCUMENT WITHOUT WRITTEN PERMISSION IS PROHIBITED.		<p>3000 CAMPUS DRIVE MINNEAPOLIS, MN 55441 1-800-544-7769 (763) 553-7300 (763) 553-0708 fax turck.com</p>	
1. 2. 3. 4.				DRFT RDS DATE 02/09/10 APVD SCALE 1=1.0		DESCRIPTION BC 3-S12-AN6X-2M-PSG 3M	
MATERIAL		SEE NOTES		UNIT OF MEASUREMENT		IDENTIFICATION NO.	
FINISH		SEE NOTES		INCH [MILLIMETER] DO NOT SCALE THIS DRAWING		M2601389 REV C	
C ADD TOLERANCE TO OVERALL LENGTH		KMY 01/27/14 44687		CONTACT TURCK FOR MORE INFORMATION		FILE: M2601389	
REV DESCRIPTION		BY DATE ECO NO.				SHEET 1 OF 1	