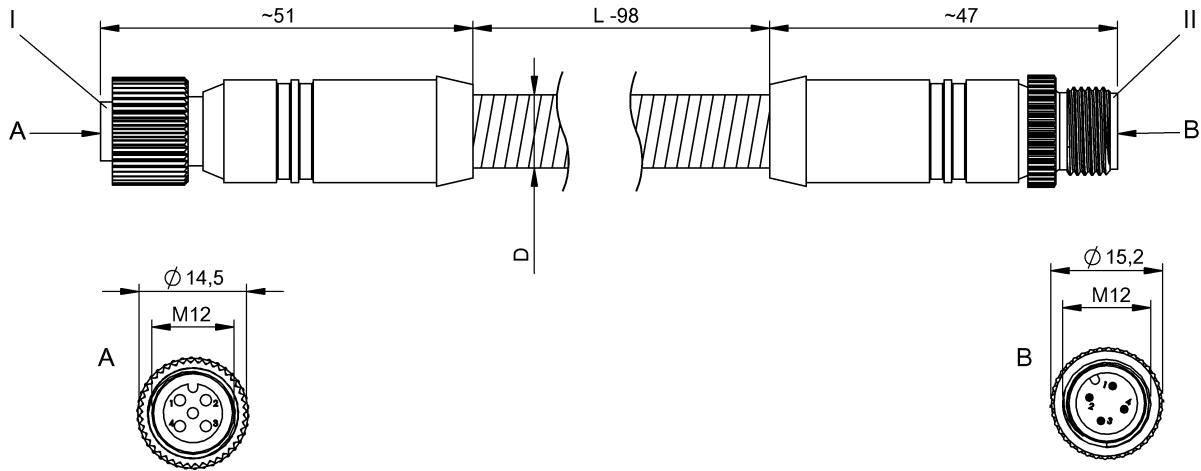


BCC M415-M414-3A-304-MX04T2-006 BCC0F0Y



Electrical connection

Cable	V2A black, 0.60 m
Cable diameter D	4.95 mm ±0.13 mm
Conductor cross-section	AWG 22
Number of conductors	4
Number of pins	5/4
Protection jacket color	black
System	Molded/Molded

Electrical data

Rated current (40 °C)	4.0 A
-----------------------	-------

Environmental conditions

Cable temperature, fixed routing	-40...105 °C
Cable temperature, flexible routing	-5...105 °C
Protection type IEC 60529	IP68 /IP68

General data

Application	Physical
-------------	----------

Material

Material contact carrier	PUR
Material contacts	Bronze/Brass
Material cover nut	Die-cast zinc/Die-cast zinc
Material grip	TPU/TPU
Protective jacket material	PVC coated steel

Mechanical data

Outer jacket, diameter OD	10 mm
Tightening torque pigtail	0.6 Nm/0.6 Nm

Remarks

Enclosure rating per IEC 60529, only in screwed state with the associated mating piece.
AIDA conformal

BCC M415-M414-3A-304-MX04T2-006
BCC0F0Y

Connector view



Wiring Diagram

