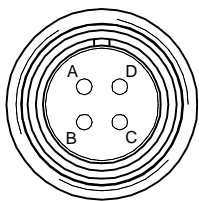


FEMALE END VIEW

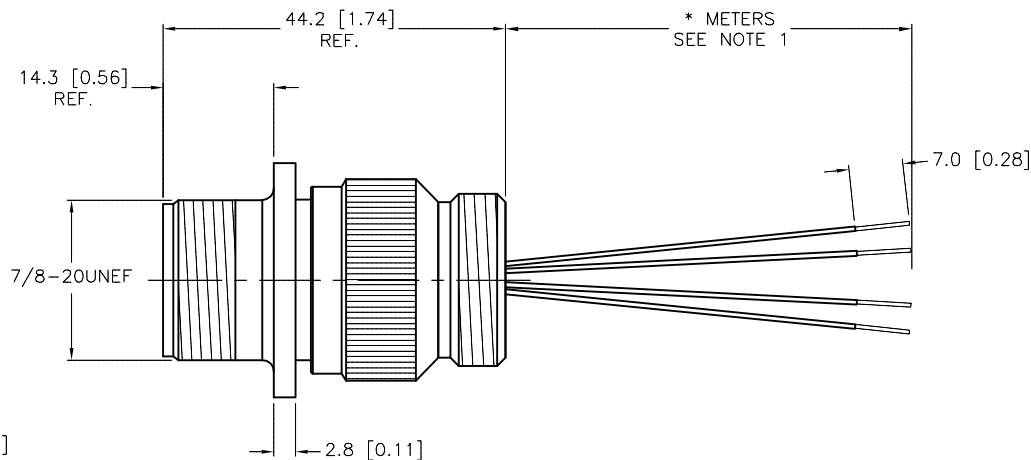
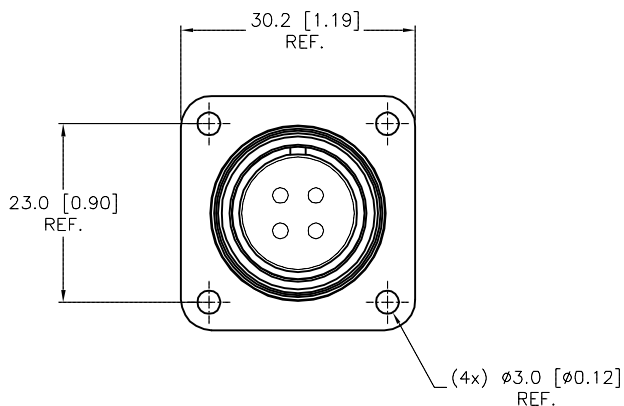


A = BLUE
 B = BROWN
 C = WHITE
 D = BLACK

CONNECTOR
 TYPE/STYLE - MS 3100A
 SHELL SIZE - 14S
 INSERT ARRANGEMENT - 2S

SPECIFICATIONS

CONTACT CARRIER MATERIAL	NEOPRENE
CONTACT MATERIAL/PLATING	COPPER ALLOY/SILVER
HOUSING MATERIAL/PLATING	ALUMINUM ALLOY/OLIVE DRAB CHROMATE
RATED CURRENT [A]	10.0 A
RATED VOLTAGE [V]	200 V
CONDUCTOR INSULATION MATERIAL	PVC
NUMBER OF CONDUCTORS	4x18 AWG
TEMPERATURE RATING	-40°C to +105°C (-40°F to +221°F)
PROTECTION CLASS	MEETS NEMA 1,3,4,6P AND IEC IP67,IP68
CONNECTOR TYPE	MIL-DTL-5015



CABLE LENGTH	TOLERANCE*
ALL LENGTHS	+ 4% (OR 50mm) OF LENGTH - 0% (OR 0mm) OF LENGTH WHICHEVER IS GREATER
STRIP LENGTH	TOLERANCE*
0-7mm	±0.5mm
8-29mm	±1.0mm
30-49mm	±2.0mm
50-69mm	±3.0mm
70-100mm	±4.0mm
OVER 100mm	±5.0mm

* UNLESS OTHERWISE SPECIFIED

NOTES:

1. "*" INDICATES LEADS LENGTH IN METERS. CONTACT TURCK TO ORDER SPECIFIC LENGTHS.

SOURCE DRAWING - FOR REFERENCE ONLY

RELATED DOCUMENTS 1. 2. 3. 4.	3RD ANGLE PROJECTION 	THIS DRAWING IS CONFIDENTIAL AND THE PROPERTY OF TURCK INC. USE OF THIS DOCUMENT WITHOUT WRITTEN PERMISSION IS PROHIBITED.		3000 CAMPUS DRIVE MINNEAPOLIS, MN 55441 1-800-544-7769 (763) 553-7300 (763) 553-0708 fax turck.com		
		DRFT NF APVD C.K.	DATE 12/23/14 SCALE 1=1.0	DESCRIPTION MS 3100A-14S-2S-548-*		IDENTIFICATION NO.
MATERIAL SEE SPECIFICATIONS	ALL DIMENSIONS DISPLAYED ON THIS DRAWING ARE FOR REFERENCE ONLY	UNIT OF MEASUREMENT MILLIMETER [INCH]		DO NOT SCALE THIS DRAWING		
FINISH SEE SPECIFICATIONS	CONTACT TURCK FOR MORE INFORMATION	FILE: 777034442		SHEET 1 OF 1		

A	DRAWING RELEASE	NF	01/14/15	
REV	DESCRIPTION	BY	DATE	ECO NO.