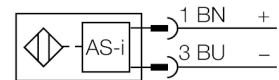


- Threaded barrel, M18 x 1
- Chrome-plated brass
- Especially interference immune
- EMC acc. to EN 60947-5-2 Annex ZA
- Factor 1 for all metals
- Magnetic-field immune to AC and DC fields
- Extended temperature range
- AS interface, 18...33 VDC
- M12 x 1 connector

**Wiring diagram**



**Functional principle**

Inductive sensors detect metal objects contactless and wear-free. Due to the 3-coil system without ferrite core, uprox®+ factor 1 sensors have significant advantages. They detect all metals at the same switching distance, are magnetic field immune and feature large switching distances.

<b>Type</b>	BI5U-M18-ASIX-H1140/S331
Ident-No.	1901017
<b>Rated operating distance Sn</b>	5 mm
Mounting condition	flush
Assured sensing range	≤ (0,81 x Sn) mm
Repeatability	≤ 2 %
Temperature drift	≤ ± 10 %
Hysteresis	≤ ± 15 %, ≤ -25 °C v ≥ +70 °C
Ambient temperature	3...15 -30...+85
<b>Operating voltage</b>	18...33
No-load current I <sub>0</sub>	≤ 30 mA
Rated insulation voltage	≤ 0.5 kV
Output function	2-wire, AS-i
I/O configuration (HEX) / ID code (HEX)	1/ 1
I/O matrix input	0 = switching signal 1 - 3 = not used
I/O matrix output	0 - 3 = not used
Protection class	□
Switching frequency	≤ 0.2 kHz
<b>Design</b>	threaded barrel, M18 x 1
Dimensions	63
Housing material	Metal, CuZn, chrome-plated
Material active face	Plastic, PBT
Tightening torque of housing nut	25 Nm
Connection	connector, M12 x 1
Vibration resistance	55 Hz (1 mm)
Shock resistance	30 g (11 ms)
Protection class	IP67
<b>Switching state</b>	LED yellow

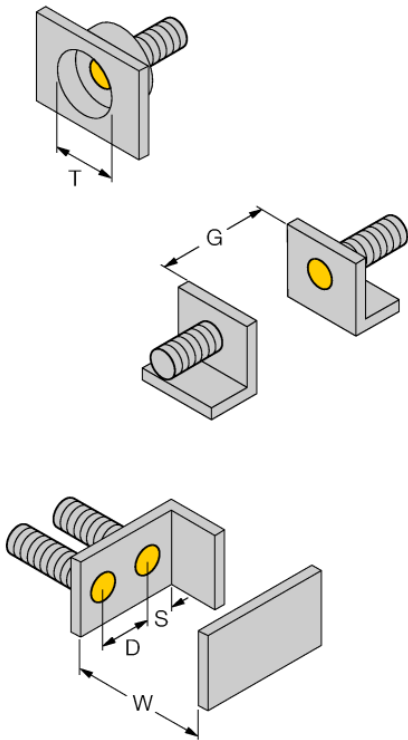
---

Mounting instructions	minimum distances
Distance D	2 x B
Distance W	3 x Sn
Distance T	3 x B
Distance S	1.5 x B
Distance G	6 x Sn

---

Diameter of the active area B	Ø 18 mm
-------------------------------	---------

---



**Accessories**

Type code	Ident-No.	Short text	Dimension drawing
BST-18B	6947214	Fixing clamp with dead-stop; material: PA6	
QM-18	6945102	Quick-mount bracket with dead-stop; material: Chrome-plated brass Male thread M24 x 1.5. Note: The switching distance of proximity switches can be reduced by the use of quick-mount brackets.	
MW-18	6945004	Mounting bracket; material: Stainless steel A2 1.4301 (AISI 304)	
BSS-18	6901320	Fixing clamp; material: Polypropylene	