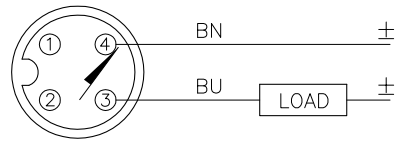


WIRING DIAGRAM

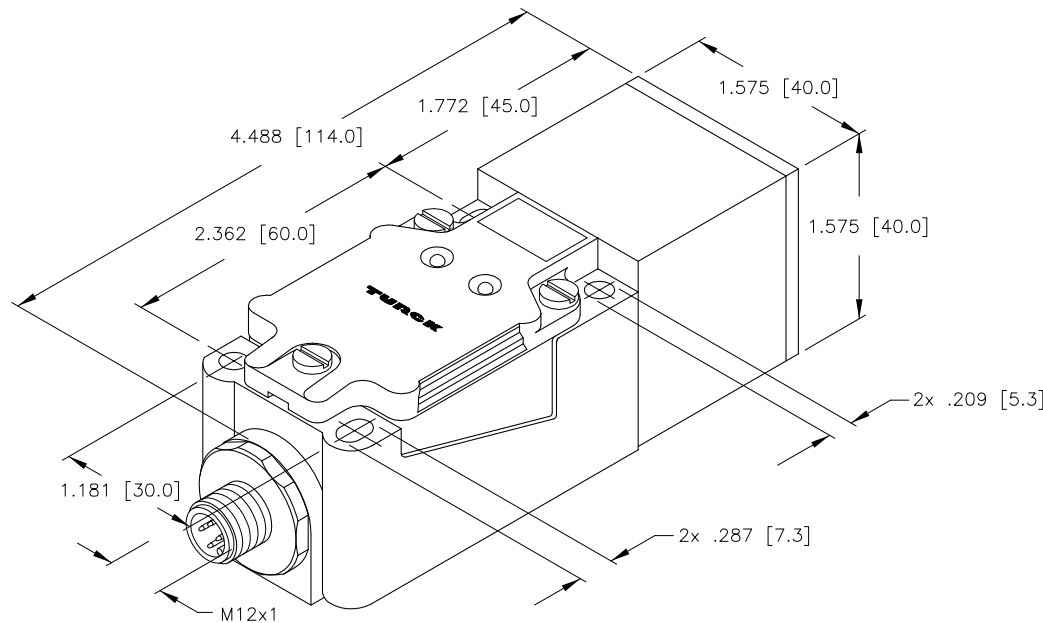


OUTPUT: AD4X

SHORT-CIRCUIT PROTECTION

SPECIFICATIONS

RATED OPERATING DISTANCE	15mm = .591" (NOMINAL)
MOUNTING MODE	FLUSH
REPEATABILITY	≤ 2%
TEMPERATURE DRIFT	≤ ± 10%
HYSTERESIS	1-15%
AMBIENT TEMPERATURE	-25°C to +70°C (-13°F to +158°F)
OPERATING VOLTAGE	10-65 VDC
RIPPLE	≤ 10%
DC RATED OPERATIONAL CURRENT	≤ 100 mA
RESIDUAL CURRENT	≤ 0.6 mA
INSULATION VOLTAGE	≤ 0.5 kV
SHORT-CIRCUIT PROTECTED	YES
MAX. VOLTAGE DROP	≤ 5.0 V
OUTPUT FUNCTION	2-WIRE, NORMALLY OPEN
SMALLEST OPERATING CURRENT	≥ 3.0 mA
SWITCHING FREQUENCY	≤ 0.15 kHz
HOUSING MATERIAL	PLASTIC, PBT-GF30-V0, BLACK
MATERIAL ACTIVE AREA	PLASTIC, PBT-GF30-V0, YELLOW
CONNECTION	M12x1
SHOCK	30 g, 11 ms
VIBRATION	55 Hz, 1 mm AMPLITUDE (IN ALL 3 PLANES)
PROTECTION	IP67
SWITCHING STATUS INDICATION	LED; YELLOW



SOURCE DRAWING - FOR REFERENCE ONLY

NOTES:

1. SENSING HEAD TURNS TO ACCOMMODATE 9 DIFFERENT SENSING POSITIONS.
2. THIS SENSOR MAY BE USED AS A SINKING OR SOURCING DEVICE. (SEE WIRING DIAGRAM)

RELATED DOCUMENTS 1. 2. 3. 4.	3RD ANGLE PROJECTION 	THIS DRAWING IS PROPERTY OF TURCK INC. USE OF THIS DOCUMENT WITHOUT WRITTEN PERMISSION IS PROHIBITED.		3000 CAMPUS DRIVE MINNEAPOLIS, MN 55441 1-800-544-7769 (763) 553-7300 (763) 553-0708 fax turck.com	
	MATERIAL PLASTIC HOUSING	DRFT RDS DSGN GN	DATE 10/02/06 SCALE 1=1.3	DESCRIPTION BI15-CP40-AD4X-H1141	
FINISH	ALL DIMENSIONS DISPLAYED ON THIS DRAWING ARE FOR REFERENCE ONLY	UNIT OF MEASUREMENT INCH [MILLIMETER]		IDENTIFICATION NO. M4477090	REV A
A	DRAWING RELEASE	RDS	10/02/06		
REV	DESCRIPTION	BY	DATE	ECO NO.	DO NOT SCALE THIS DRAWING
				FILE: M4477090	SHEET 1 OF 1