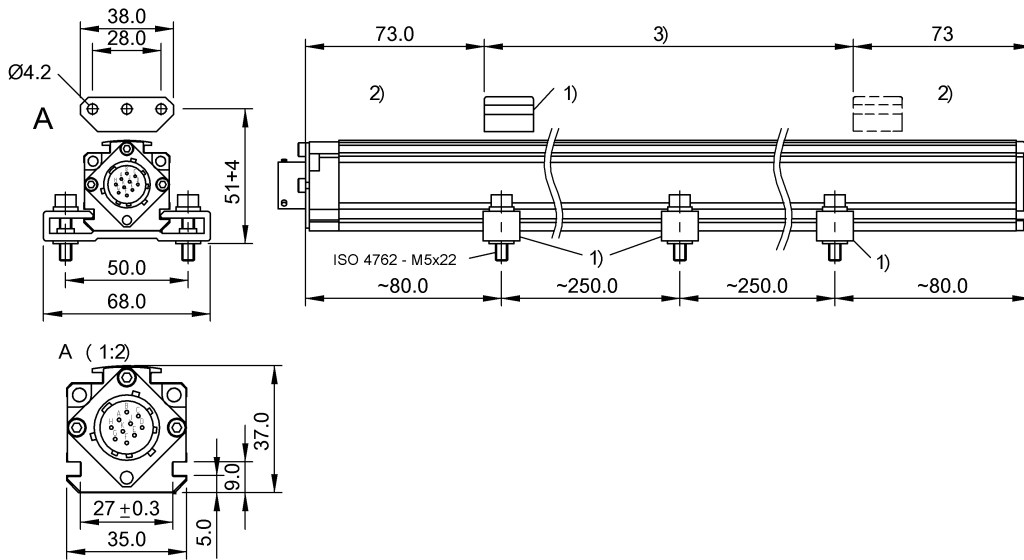


## BTL5-Q5222-M1000-P-S140 BTL049E



1) not included in scope of delivery 2) Non-usable area 3) Nominal length = Measuring length



### Electrical connection

Connection version	axial
Polarity reversal protected	yes

### Electrical data

Current consumption max. at 24 V DC	100 mA
MTTF (40 °C)	79 a
Operating voltage $U_b$	10...30 VDC
Output mode	free-running
Output signal adjustable	no
Overvoltage protection	yes
Quadrature frequency	208 kHz
Refresh rate	2 ms
Voltage-proof up to (GND to housing)	500 V DC

### Environmental conditions

Ambient temperature	-40...85 °C
EN 55016-2-3, Radiation	For industrial and residential use
EN 60068-2-27, Continuous shock	100 g, 2 ms
EN 60068-2-27, Shock	100 g, 6 ms
EN 60068-2-6, Vibration	12 g, 10...2000 Hz
EN 61000-4-2, ESD	Severity Level 3
EN 61000-4-3, RFI	Severity Level 3
EN 61000-4-4, Burst	Severity Level 3
EN 61000-4-5, Surge	Severity Level 2
EN 61000-4-6, High-frequency fields	Severity Level 3
EN 61000-4-8, Magnetic fields	Severity Level 4
Protection type IEC 60529	IP67 with connector
Relative humidity	≤ 90 %, non-condensing
Storage temperature	-40...100 °C

### Functional safety

Functional safety	no
-------------------	----

### General data

Approval/Conformity	CE cULus
Position encoders, number max.	1 pcs

### Material

Housing material	Aluminum
Housing material, surface protection	anodized

### Mechanical data

Fastening detail	Mounting clamps
Null point	73.0 mm

### Output/Interface

Interface	Quadrature
-----------	------------

### Range/Distance

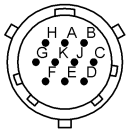
Non-linearity max.	±0.02 %FS
Repeat accuracy	≤ 5 μm
Reproducibility	≤ 5 μm
Resolution	≤ 5 μm
Sampling rate max.	0.500 kHz

## BTL5-Q5222-M1000-P-S140 BTL049E

For further information on MTTF/B10d, please refer to the MTTF / B10d Certificate.

Specification of the MTTF value and the B10d value do not represent any binding quality and/or life expectancy guarantees.

### Connector view



### Wiring Diagram

PIN	
A	A+
B	B+
C	B-
D	10...30 V DC
E	NC
F	GND
G	STRB Input
H	Z+
J	A-
K	Z-