

Series C85

Accessory Dimensions

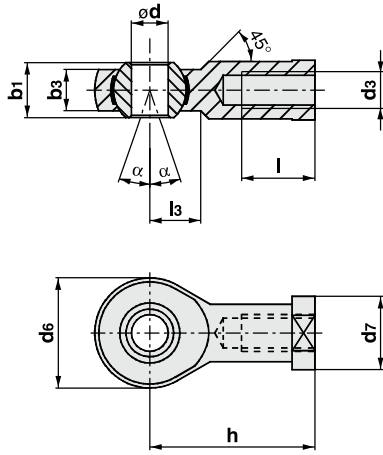
Series C85

Series CP96

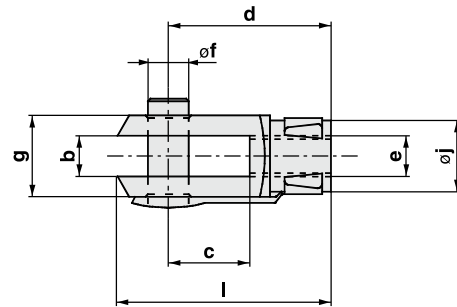
Series C96

Series C55

Single Knuckle Joint



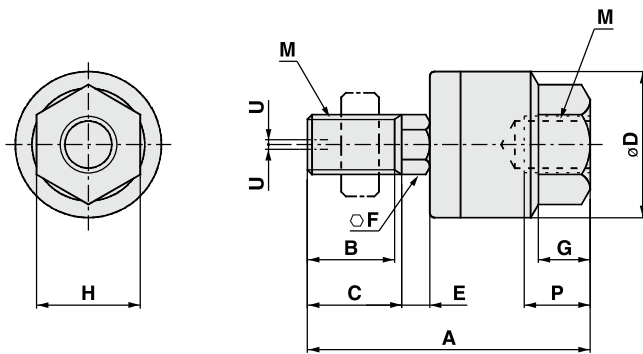
Double Knuckle Joint



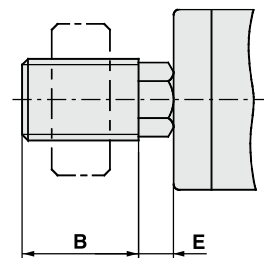
Bore size	Model	b1	b3	dh7	d6	d7	h	l	l3	d3	α°
8	KJ4D	8	6.0	5	18	11	27	10	10	M4 x 0.7	7.5
10	KJ4D	8	6.0	5	18	11	27	10	10	M4 x 0.7	7.5
12	KJ6D	9	6.75	6	20	13	30	12	10	M6 x 1	6.5
16	KJ6D	9	6.75	6	20	13	30	12	10	M6 x 1	6.5
20	KJ8D	12	9	8	24	16	36	16	12	M8 x 1.25	13
25	KJ10D	14	10.5	10	28	19	43	20	14	M10 x 1.25	13

Bore size	Model	b	c	d	f	g	h	e	l
8	GKM4-8	4	8	16	4	8	6	M4 x 0.7	21
10	GKM4-8	4	8	16	4	8	6	M4 x 0.7	21
12	GKM6-12	6	12	24	6	10	8	M6 x 1	31
16	GKM6-12	6	12	24	6	10	8	M6 x 1	31
20	GKM8-16	8	16	32	8	12	10	M8 x 1.25	42
25	GKM10-20	10	20	40	10	18	12	M10 x 1.25	52

Floating Joint: Series JA



In the case of dimension without C



Bore size	Model	M		A	B	C	D	E	F	G	H	Maximum screw-in depth P	Allowable eccentricity U	Max. operating tension and compression power (kN)
		Nominal thread dia.	Pitch											
8, 10	JA10-4-070	4	0.7	26	9	10	12	1.5	4	4	7	5.5	0.5	0.054
12, 16	JA15-6-100	6	1	34.5	12.5	14	16	2	6	5	10	7	0.5	0.123
20	JA20-8-125	8	1.25	44	17.5	—	21	4.5	7	7	13	8	0.5	1.1
25	JA30-10-125	10	1.25	49.5	19.5	—	24	5	8	8	17	9	0.5	2.5