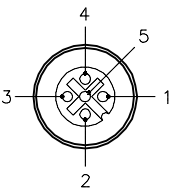
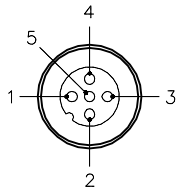
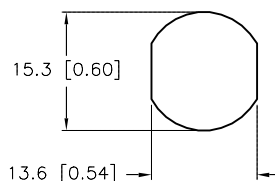
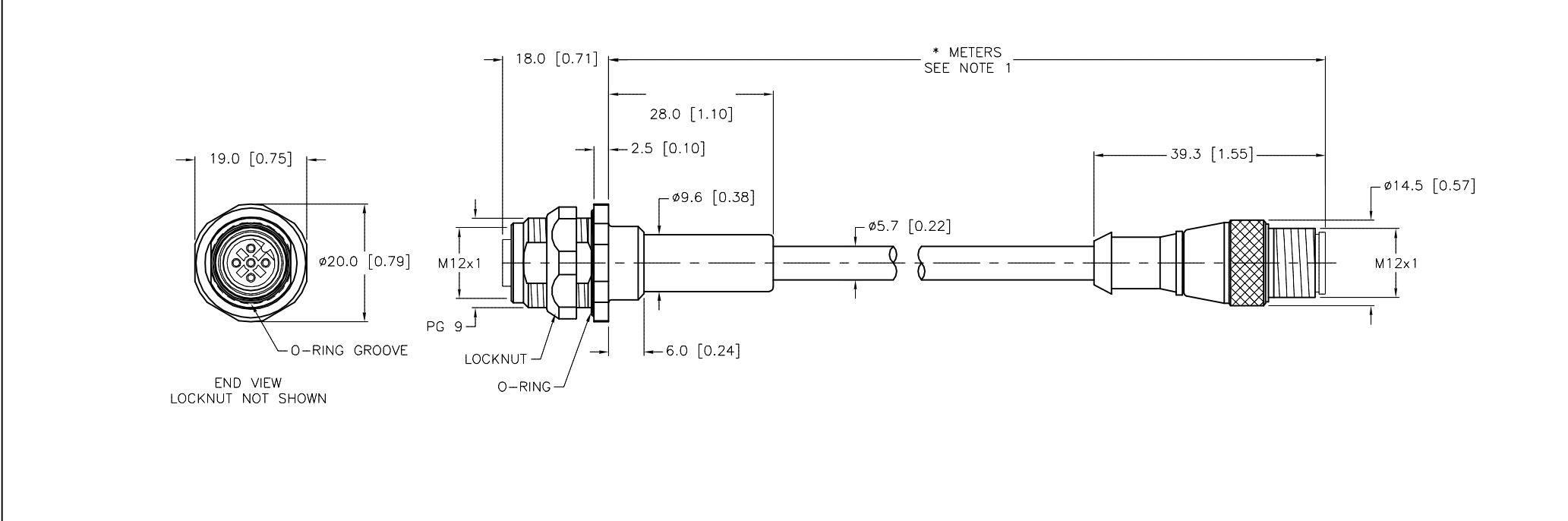


FEMALE END VIEW	MALE END VIEW	TYPICAL PANEL CUTOUT	SPECIFICATIONS	
 <p>1 = BROWN 2 = WHITE 3 = BLUE 4 = BLACK 5 = GRAY</p>	 <p>1 = BROWN 2 = WHITE 3 = BLUE 4 = BLACK 5 = GRAY</p>		CONTACT CARRIER MATERIAL	NYLON OR TPU
			MOLDED HEAD MATERIAL/COLOR	TPU/YELLOW
			CONTACT MATERIAL/PLATING	BRASS/GOLD
			COUPLING NUT MATERIAL/PLATING	BRASS/NICKEL
			O-RING MATERIAL	NITRILE (BUNA-N)
			RATED CURRENT [A]	4.0 A
			RATED VOLTAGE [V]	250 V
			OUTER JACKET MATERIAL/COLOR	PVC/GRAY
			CONDUCTOR INSULATION MATERIAL	PVC
			NUMBER OF CONDUCTORS [AWG]	5x22 AWG
			TEMPERATURE RANGE	-40°C to +105°C (-40°F to +221°F)
			PROTECTION CLASS	MEETS NEMA 1,3,4,6P AND IEC IP67
			MAX. PANEL THICKNESS	3.0 [0.12]

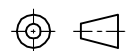


CABLE LENGTH	TOLERANCE*
ALL LENGTHS	+ 4% (OR 50mm) OF LENGTH - 0% (OR 0mm) OF LENGTH WHICHEVER IS GREATER
STRIP LENGTH	TOLERANCE*
0-7mm	±0.5mm
8-29mm	±1.0mm
30-49mm	±2.0mm
50-69mm	±3.0mm
70-100mm	±4.0mm
OVER 100mm	±5.0mm

**\* UNLESS OTHERWISE SPECIFIED**

NOTES:  
1. "\*" INDICATES CABLE LENGTH IN METERS. CONTACT TURCK TO ORDER SPECIFIC LENGTHS.

**SOURCE DRAWING - FOR REFERENCE ONLY**

RELATED DOCUMENTS	3RD ANGLE PROJECTION	THIS DRAWING IS CONFIDENTIAL AND THE PROPERTY OF TURCK INC. USE OF THIS DOCUMENT WITHOUT WRITTEN PERMISSION IS PROHIBITED.	<b>TURCK INC</b> High Technology Sensors and Automation Controls 3000 CAMPUS DRIVE MINNEAPOLIS, MN 55441 1-800-544-7769 (763) 553-7300 (763) 553-0708 fax turck.com	
1.		DRFT RDS	DATE 07/09/03	DESCRIPTION FKFD 4.5--*-RS 4.5T
2.		APVD	SCALE 1=1.0	
3.	ALL DIMENSIONS DISPLAYED ON THIS DRAWING ARE FOR REFERENCE ONLY  CONTACT TURCK FOR MORE INFORMATION	UNIT OF MEASUREMENT <b>MILLIMETER [ INCH ]</b>		IDENTIFICATION NO.
4.		DO NOT SCALE THIS DRAWING		REV E
MATERIAL				FILE: 777002430
FINISH				SHEET 1 OF 1

E	ADD O-RING MATERIAL	NF	07/21/15	50682
REV	DESCRIPTION	BY	DATE	ECO NO.