

Professionally approved products.

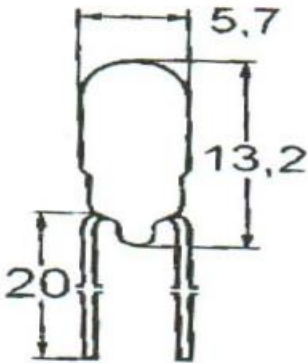
## Datasheet

# Wire Terminal Filament Indicator Lamp

RS Stock number 655-9356



Dimensions: (mm)



### Structure

Bulb Type	T1 ¾ Clear
Bulb Diameter	5.7Max
Length	13.2±0.1Max
Base Type	WT

### Design Characteristics

Voltage	14V
Amperage	80mA±10%
Filament Type	Vacuum Type
Luminous Flux	3.8Lm±20%
Life Hours	15000Hours