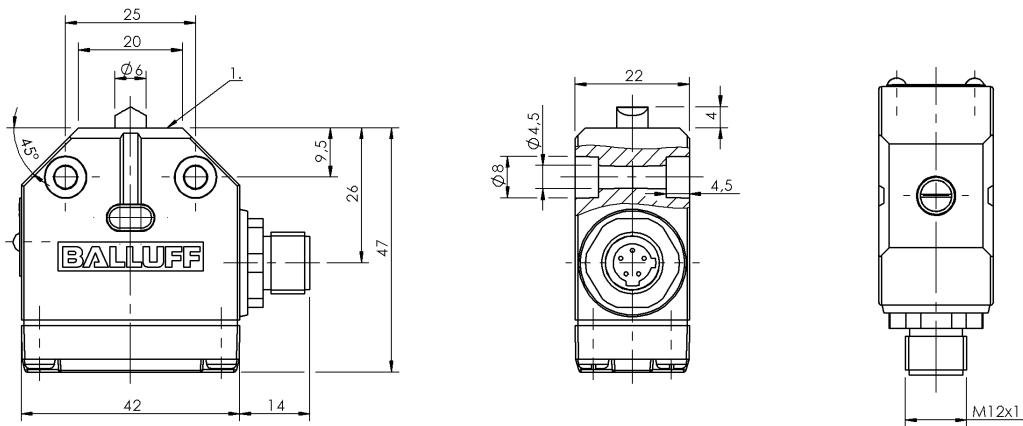


BNS 819-100-D-11-S80 BNS005J



1) Reference edge



Display/Operation

Function indicator 1. Switch position: None

Electrical data

Connector, order code BKS-S 80-W-PU-05 (right-angle)
BKS-S 80-G-PU-05 (straight)

Continuous current 1. Switch position: 5 A

Rated operating voltage U_e 1. Switch position: 250 VAC

Switching function mechanical Single-pin changeover

Switching rate 1. Switch position: 200/min

Environmental conditions

Ambient temperature -5...85 °C

Protection type IEC 60529 IP67

Functional safety

B10d BSE 70.1: 10 mil. switching cycles

Diagnostic coverage 0.0 %

Functional safety no

Mission Time 20 a

General data

Approval/Conformity CE
CCC

Basic standard IEC 60947-5-1

Operating principle 1. Switch position: mechanical

Version Snap contact

Material

Housing material Aluminum

Material contacts 1. Switch position: Fine silver

Plunger material 1. Switch position: Stainless steel (1.4034)

Surface protection anodized

Mechanical data

Approach direction lateral or at right angles to mounting surface

Approach speed 1. Switch position: 20 m/min

Dimension 42 x 22 x 47 mm

Distance cam - reference edge 1. Switch position: 2.30...2.80 mm

Flange, feed-through None

Installation any

Life expectancy mechanical 1. Switch position: 10 mil. switching operations

Number of switching positions 1x Chisel

Plunger spacing 1st switch position 11 mm

Plunger style 1. Switch position: Chisel

Switch actuation force 1. Switch position: 8 N

Switching element 1. Switch position: BSE 70.1

Range/Distance

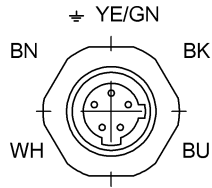
Reproducibility 1. Switch position: ± 0.02 mm

Specification of the MTTF value and the B10d value do not represent any binding quality and/or life expectancy guarantees.

Note that the products listed here are not themselves safety components according to the Machine Directive 2006/42/EG Article 2 c. It is however possible to create corresponding structures with a high Performance Level per EN 13849-1 by means of two-channel utilization.

BNS 819-100-D-11-S80
BNS005J

Connector view



View of connector side

Wiring Diagram

