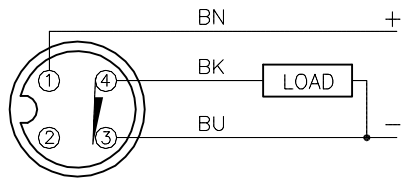


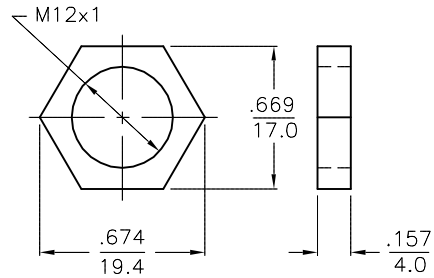
WIRING DIAGRAM



OUTPUT: RN6X

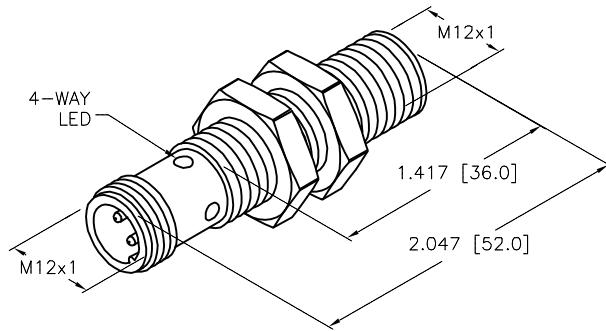
SHORT-CIRCUIT AND OVERLOAD PROTECTION

LOCKNUT LN-M12



SPECIFICATIONS

RATED OPERATING DISTANCE	3mm =.118"
MOUNTING MODE	FLUSH
MIN. REPEAT ACCURACY	≤ 2%
TEMPERATURE DRIFT	≤ ±10%
HYSTERESIS	3-15%
OPERATING TEMPERATURE	-30°C to +85°C (-22°F to +185°F)
RATED OPERATIONAL VOLTAGE	10-30 VDC
RESIDUAL RIPPLE	≤ 10%
RATED OPERATIONAL CURRENT	≤ 200 mA
NO-LOAD CURRENT	≤ 15 mA
RESIDUAL CURRENT	≤ 0.1 mA
RATED INSULATION VOLTAGE	≤ 0.5 kV
SHORT-CIRCUIT PROTECTED	YES
MAX. VOLTAGE DROP	≤ 1.8 V
REVERSE POLARITY PROTECTION	INCORPORATED
WIRE-BREAK PROTECTION	INCORPORATED
OUTPUT FUNCTION	NORMALLY CLOSED, 3-WIRE, NPN
MAX. SWITCHING FREQUENCY	≤ 2 kHz
HOUSING MATERIAL	METAL, BRASS/CHROME PLATED
ACTIVE FACE	PLASTIC, LCP-GF30
CONNECTION	M12x1
SHOCK RESISTANCE	30 g, 11 ms
VIBRATION RESISTANCE	55 Hz, 1 mm AMPLITUDE (IN ALL 3 PLANES)
DEGREE OF PROTECTION	IP68
SWITCHING STATUS INDICATION	LED: YELLOW



SOURCE DRAWING - FOR REFERENCE ONLY

RELATED DOCUMENTS		3RD ANGLE PROJECTION		THIS DRAWING IS CONFIDENTIAL AND THE PROPERTY OF TURCK INC. USE OF THIS DOCUMENT WITHOUT WRITTEN PERMISSION IS PROHIBITED.		 High Technology Sensors and Automation Controls		3000 CAMPUS DRIVE MINNEAPOLIS, MN 55441 1-800-544-7769 (763) 553-7300 (763) 553-0708 fax turck.com	
1. 2. 3. 4.				DRFT	RDS	DATE	05/08/06	DESCRIPTION	
MATERIAL		ALL DIMENSIONS DISPLAYED ON THIS DRAWING ARE FOR REFERENCE ONLY		APVD	TB	SCALE	1=1.0	BI 3U-M12-RN6X-H1143	
FINISH		CONTACT TURCK FOR MORE INFORMATION		UNIT OF MEASUREMENT			IDENTIFICATION NO.		REV
C		UPDATE FORMAT		INCH [MILLIMETER]		M1634123		C	
REV		DESCRIPTION		DO NOT SCALE THIS DRAWING		FILE: M1634123		SHEET 1 OF 1	
NF	08/19/15	51210							
BY	DATE	ECO NO.							

C	UPDATE FORMAT	NF	08/19/15	51210
REV	DESCRIPTION	BY	DATE	ECO NO.