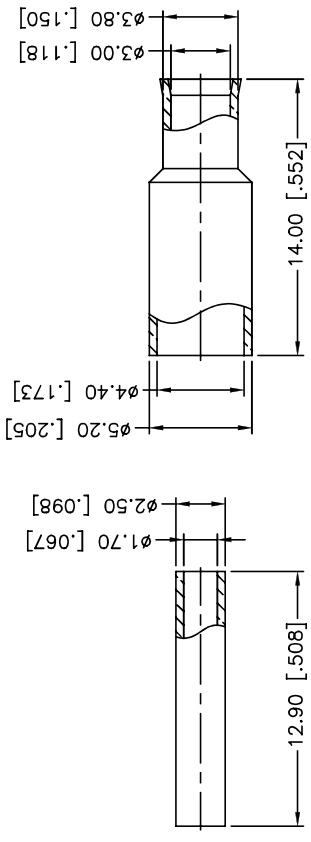
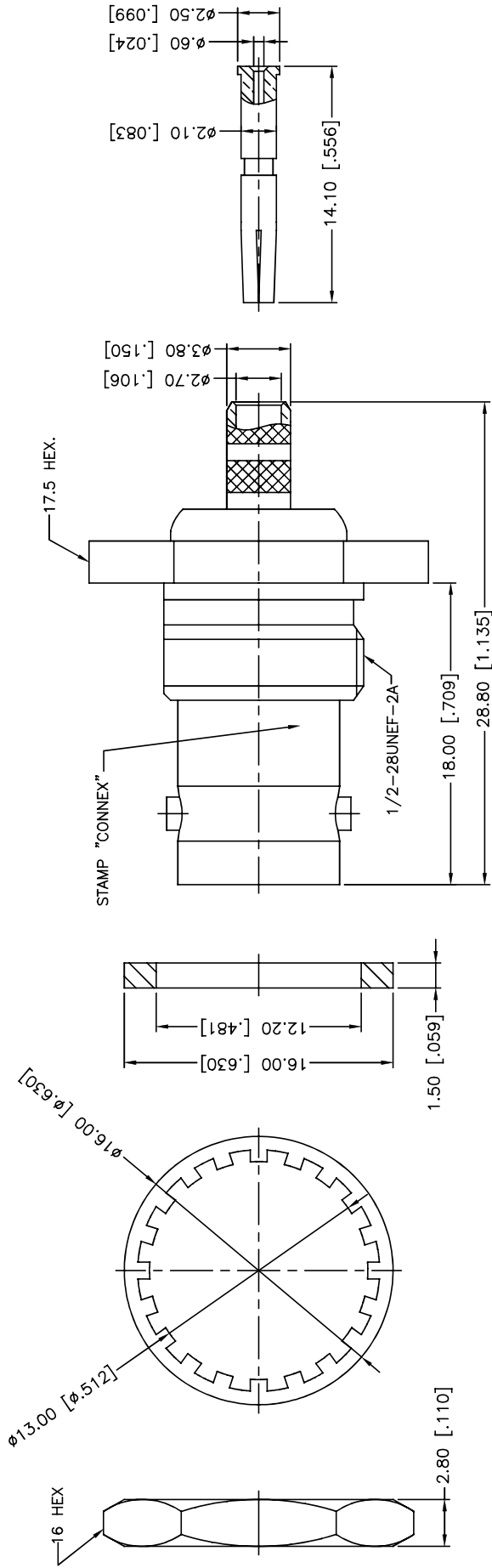


REV.	DATE	ECR NO.	DESCRIPTION
A	02/10/10	XXXXXX	UPDATE DRAWING FORMAT

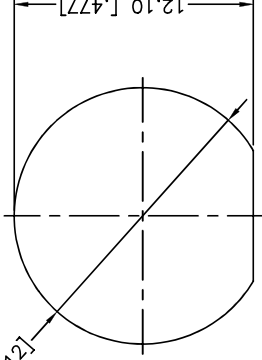


- NOTES:
1. CRIMPED FERRULE HEX CRIMP SIZE .178"
 2. CRIMPED CONTACT PIN HEX CRIMP SIZE .068"
 3. MAX. PANEL THICKNESS=3.5mm

RECOMMENDED CABLE STRIPPING DIM'S

NO	DESCRIPTION	MATERIAL	FINISH	QTY
10	FERRULE	BRASS	NICKEL	1
9	SLEEVE	DELTRIN	NATURAL	1
8	CONTACT PIN	PHOSPHOR BRONZE	GOLD	1
7	HEX NUT	BRASS	NICKEL	1
6	LOCK WASHER	BRASS	NICKEL	1
5	GASKET	RUBBER	RED	1
4	BARREL	BRASS	NICKEL	1
3	INSULATOR	DELTRIN	NATURAL	1
2	BODY	BRASS	NICKEL	1
1	HOUSING	BRASS	NICKEL	1

RECOMMENDED MOUNTING HOLE



<h1>Amphenol Connex</h1>		DATE	02/10/10
		APPROVALS	TANGOR
PART DESCRIPTION		DRAWN	CHECKED
BNC BULKHEAD CRIMP JACK FOR RG 174, 316 AND 188/U CABLE		ISSUED	
PART NO.		SHEET	1 OF 1
DWG. NO.		C:/CONNEX/112234.DWG	
REV.		REV.	SCALE
112234		A	NA

UNLESS OTHERWISE SPECIFIED DIMENSIONS ARE IN MILLIMETERS. DIMENSIONS IN [] ARE IN INCHES AND FOR CUSTOMER REFERENCE ONLY.

UNLESS OTHERWISE SPECIFIED TOLERANCES FOR MILLIMETERS ARE:

0.5 - 8mm ± 0.20mm
8 - 30mm ± 0.40mm
30 - 120mm ± 0.50mm

UNLESS OTHERWISE SPECIFIED TOLERANCES FOR INCHES ARE:

.020 - .315 = ± 0.007"
.315 - 1.180 = ± 0.015"
1.180 - 4.724 = ± 0.020"

DO NOT SCALE DRAWING